

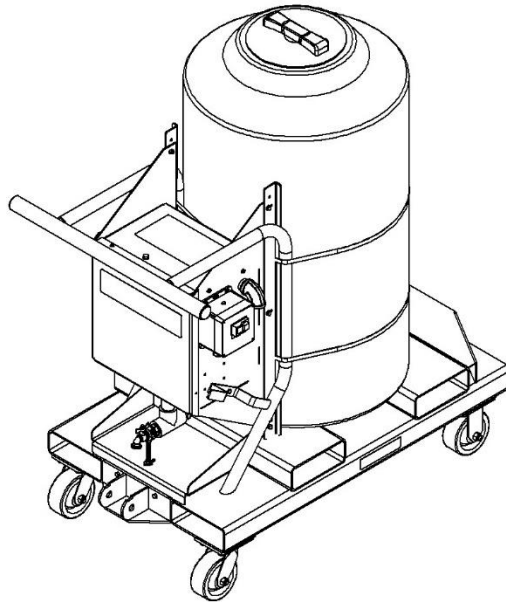


## **OPERATION MANUAL & PARTS LIST**

### **MODELS:**

**DE4-065PTL-V, DE4-100PTL-V**

**DE4-150PTL-H, DE4-200PTL-H**



# TABLE OF CONTENTS

SECTION 1 – SAFETY INFORMATION .....	3
1.1 – CAUTION .....	3
1.2 – PRECAUTIONS .....	4
SECTION 2 – THE DISPENSER.....	5
2.1 – UNIT IDENTIFICATION .....	5
2.2 – DISPENSER FEATURES .....	6
SECTION 3 – SETUP .....	7
3.1 – UNIT FLUSH .....	7
SECTION 4 – OPERATION .....	8
4.1 – FILLING THE DISPENSER .....	8
4.2 – DISCHARGING FLUID .....	9
SECTION 5 – MAINTENANCE .....	10
5.1 – PUMP MAINTENANCE .....	10
5.2 – WEEKLY MAINTENANCE .....	10
SECTION 6 – TROUBLESHOOTING .....	11
SECTION 7 – REPAIR PARTS LIST .....	12
7.1 – DISPENSER.....	12
7.1.1 WHEELS - “PTL-V” PUSH TOW LIFT TRANSPORT 65 & 100 GAL.....	12
7.1.2 WHEELS - “PTL-H” PUSH TOW LIFT TRANSPORT 150 & 200 GAL.....	13
7.2 – TANK.....	14
7.3 – PUMP ASSEMBLY.....	15
SECTION 8 – WARRANTY.....	16
SECTION 9 – RECORD MODEL & SERIAL NUMBER .....	17

## SECTION 1 – SAFETY INFORMATION

### 1.1 – CAUTION



THIS EQUIPMENT IS INTENDED FOR USE WITH STANDARD MACHINE-TOOL COOLANT (WATER-BASE AND CUTTING OILS) ONLY. IT SHOULD NOT BE USED WITH FLAMMABLE FLUIDS (I.E. FUELS, PAINT, SOLVENTS, ETC.), CORROSIVE, TOXIC OR REACTIVE MATERIALS. DO NOT USE IN EXTRA-HIGH TEMPERATURE OR SPARK-HAZARD ENVIRONMENTS (I.E. OVENS WELDING AREAS, ETC.). CLEAN TANK THOROUGHLY ON A FREQUENT BASIS, ESPECIALLY WHEN PUMPING DIFFERENT TYPES OF COOLANT AND SOLIDS OF DIFFERENT MATERIAL. WE RECOMMEND SEPARATE TANK UNITS FOR DIFFERENT SERVICES AND SEGREGATED HANDLING OF DIFFERENT COOLANTS.

- NO FLAMMABLE FLUIDS/MATERIALS WITH A FLASH POINT UNDER 200°F.
- NO TOXIC MATERIALS.
- NO CORROSIVE MATERIALS WITH PH LESS THAN 5 OR GREATER THAN 12.
- NO REACTIVE MATERIALS.

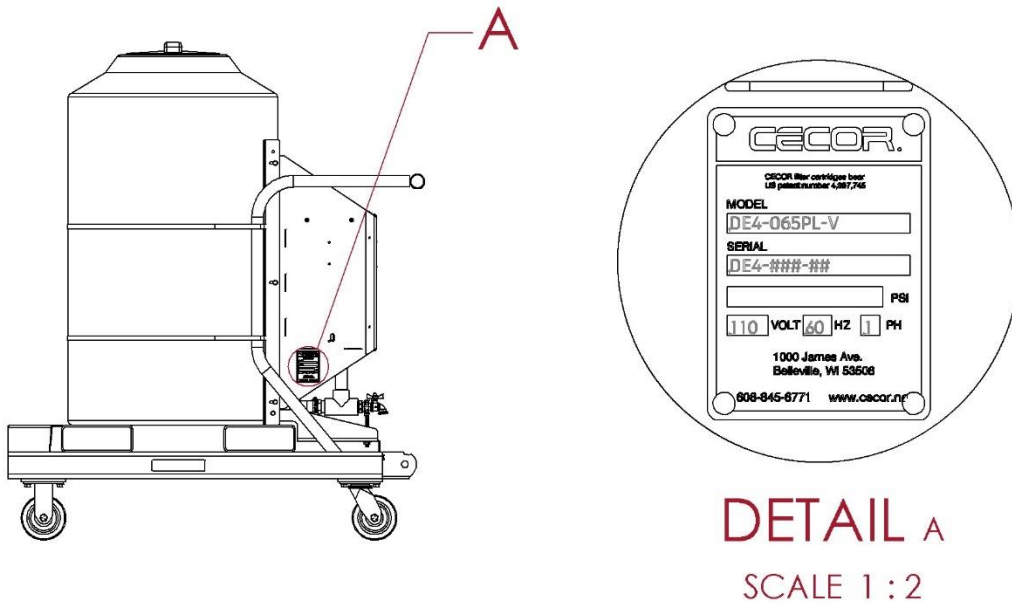
## 1.2 – PRECAUTIONS

- READ THROUGH THE "OPERATIONS MANUAL" COMPLETELY BEFORE ATTEMPTING TO OPERATE THE MACHINE.
  
- BLOCK WHEELS OF THE MACHINE TO PREVENT UNINTENTIONAL MOVEMENT.
  
- WEAR SAFETY GOGGLES TO PROTECT EYES FROM SPLASHING LIQUIDS.

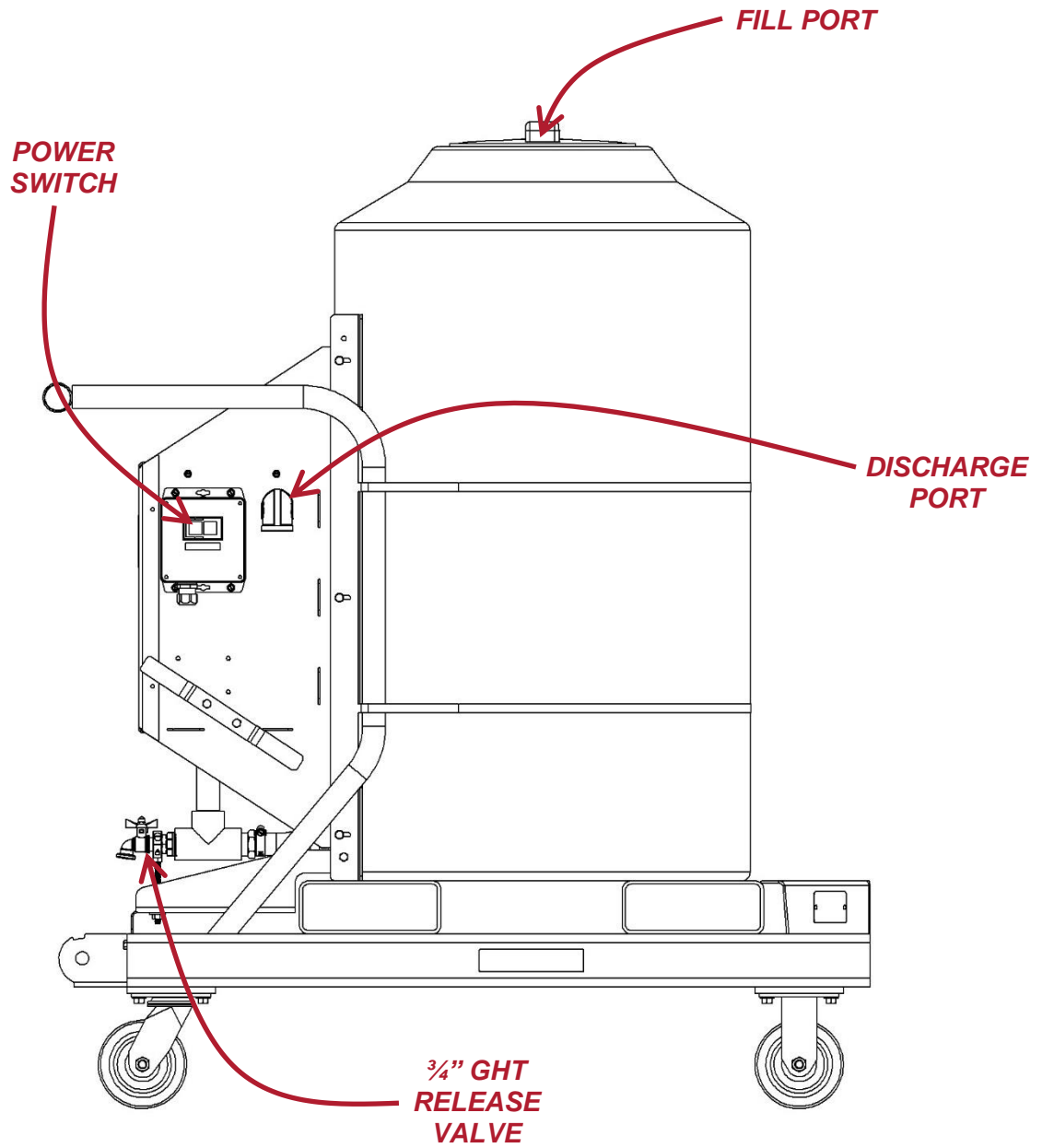
## SECTION 2 – THE DISPENSER

### 2.1 – UNIT IDENTIFICATION

WHEN ORDERING PARTS OR ASKING QUESTIONS REGARDING YOUR DISPENSER, IT IS IMPORTANT TO HAVE THE MODEL AND SERIAL NUMBER OF THE UNIT. THE MODEL AND SERIAL NUMBER CAN BE FOUND ON THE DISPENSER'S NAMEPLATE LOCATED ON THE SIDE PANEL OF THE PUMP ASSEMBLY.



## 2.2 – DISPENSER FEATURES



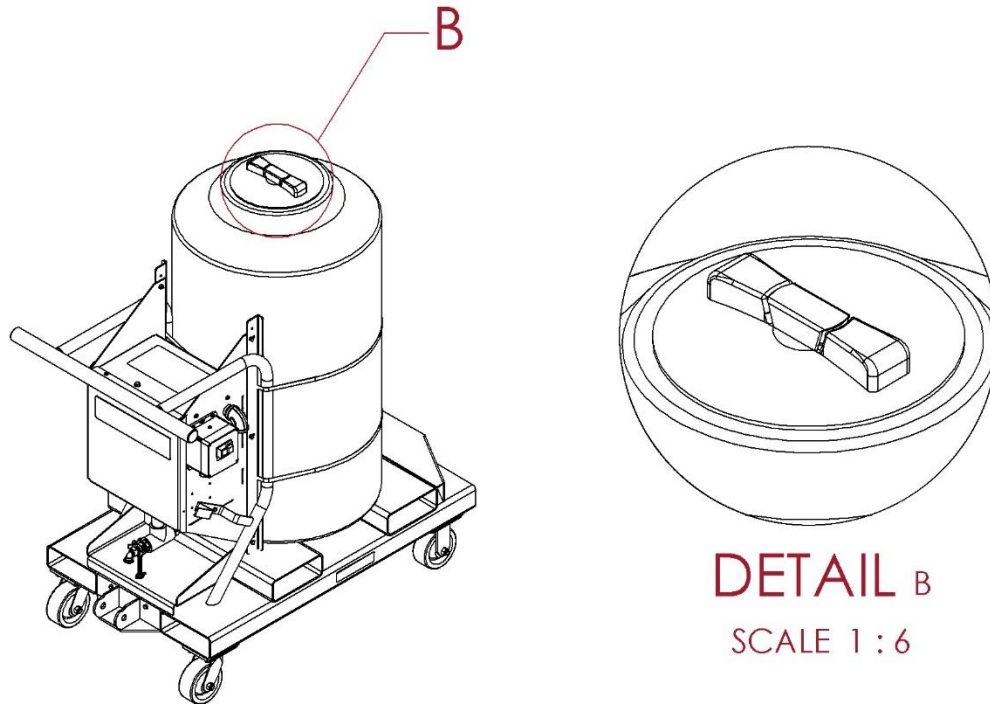
## **SECTION 3 – SETUP**

### **3.1 – UNIT FLUSH**

DURING THE QUALITY ASSURANCE PROCESS, THE UNIT IS TESTED WITH AN ANTIFREEZE MIX AND RESIDUAL LIQUID COULD BE IN THE TANK/LINES. THE UNIT WILL NEED TO BE FLUSHED PRIOR TO USE.

## SECTION 4 – OPERATION

### 4.1 – FILLING THE DISPENSER



1. CLOSE THE VALVE ON THE END OF THE DISPENSING HOSE.
2. UNSCREW THE LID AND FILL THROUGH THE TOP PORT OF THE TANK.
3. LIQUID LEVEL CAN BE SEEN THROUGH THE TRANSLUCENT WALL OF THE TANK.
4. WHEN FULL, SCREW ON THE LID TO PREVENT SPLASHING OF LIQUID OUT OF THE TANK WHILE MOVING.



## 4.2 – DISCHARGING FLUID

1. WITH THE VALVE ON THE DISPENSING HOSE CLOSED, PLUG THE POWER CABLE INTO AN OUTLET.
2. PRESS THE GREEN POWER BUTTON ON THE DISPENSER.
3. PUT THE NOZZLE OF THE DISPENSING HOSE IN THE APPARATUS THAT WILL BE FILLED.
4. OPEN THE VALVE ON THE DISPENSING HOSE, THE PUMP WILL ACTIVATE AND THE FLUID WILL DISPENSE OUT.
5. WHEN DONE FILLING, CLOSE THE VALVE ON THE DISPENSING HOSE AND PUSH THE RED POWER BUTTON.
6. DISCONNECT THE POWER CABLE FROM THE OUTLET.

## **SECTION 5 – MAINTENANCE**

TO GET THE HIGHEST PERFORMANCE FROM YOUR DISPENSER, IT IS IMPORTANT TO KEEP IT WELL MAINTAINED. BELOW IS A MAINTENANCE GUIDE THAT WILL KEEP YOUR DISPENSER IN TOP-NOTCH, DEPENDABLE CONDITION. ANY WORN OR DAMAGED PART SHOULD BE REPLACED IMMEDIATELY. CECOR STOCKS DISPENSER PARTS AND MOST CAN BE SHIPPED THE SAME OR THE NEXT DAY. CALL 1-800-356-9042 TO ORDER PARTS.

### **5.1 – PUMP MAINTENANCE**

1. FOR MAINTENANCE OF THE PUMP, UTILIZE THE PUMP OPERATIONS MANUAL SUPPLIED BY THE PUMP MANUFACTURER.

### **5.2 – WEEKLY MAINTENANCE**

1. CHECK PLUMBING CONNECTIONS FOR ANY LEAKS TO AVOID SPILLS.

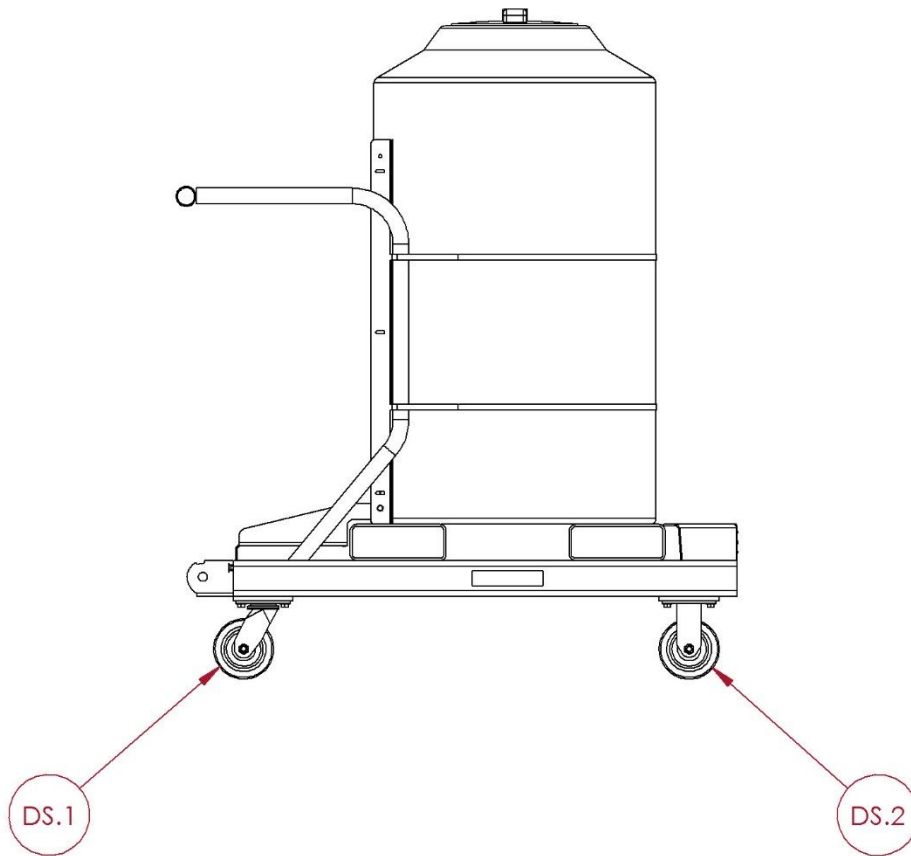
## SECTION 6 – TROUBLESHOOTING

PROBLEM	POSSIBLE CAUSES	CORRECTIVE ACTION
Will not start	Power Supply	Make sure the unit is plugged into the proper voltage.
	Circuit Breaker	Check electrical supply fuses or circuit breaker.
Will not discharge	Tank is Empty.	Check discharge hose for blockage.
	Valve on Dispensing Hose is Closed.	Open valve.
	Power Supply is Off	Turn unit on.

## SECTION 7 – REPAIR PARTS LIST

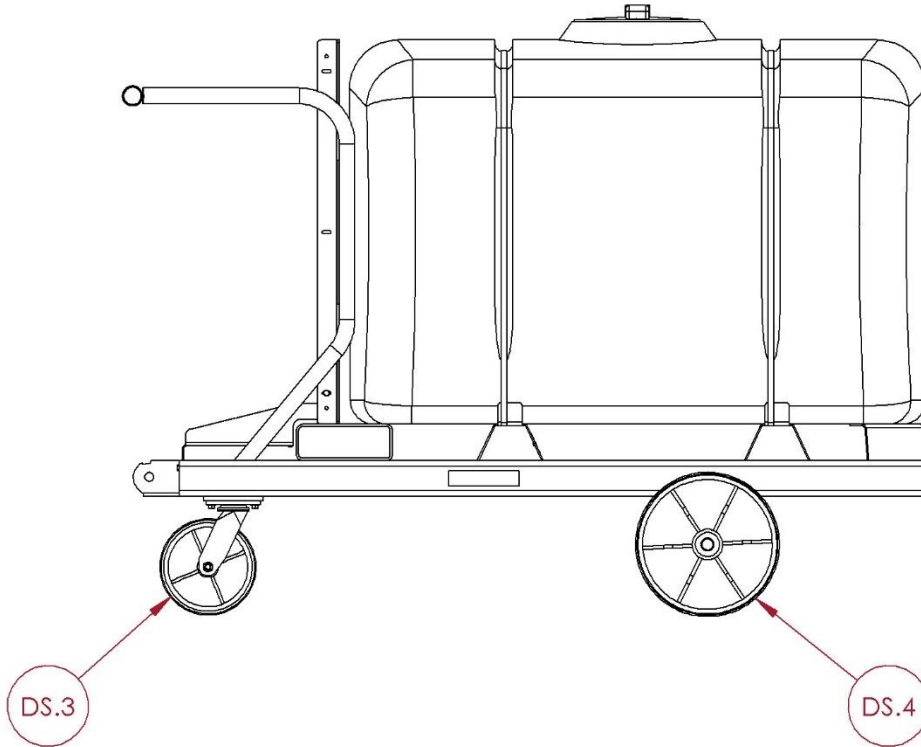
### 7.1 – DISPENSER

#### 7.1.1 WHEELS - “PTL-V” PUSH TOW LIFT TRANSPORT 65 & 100 GAL



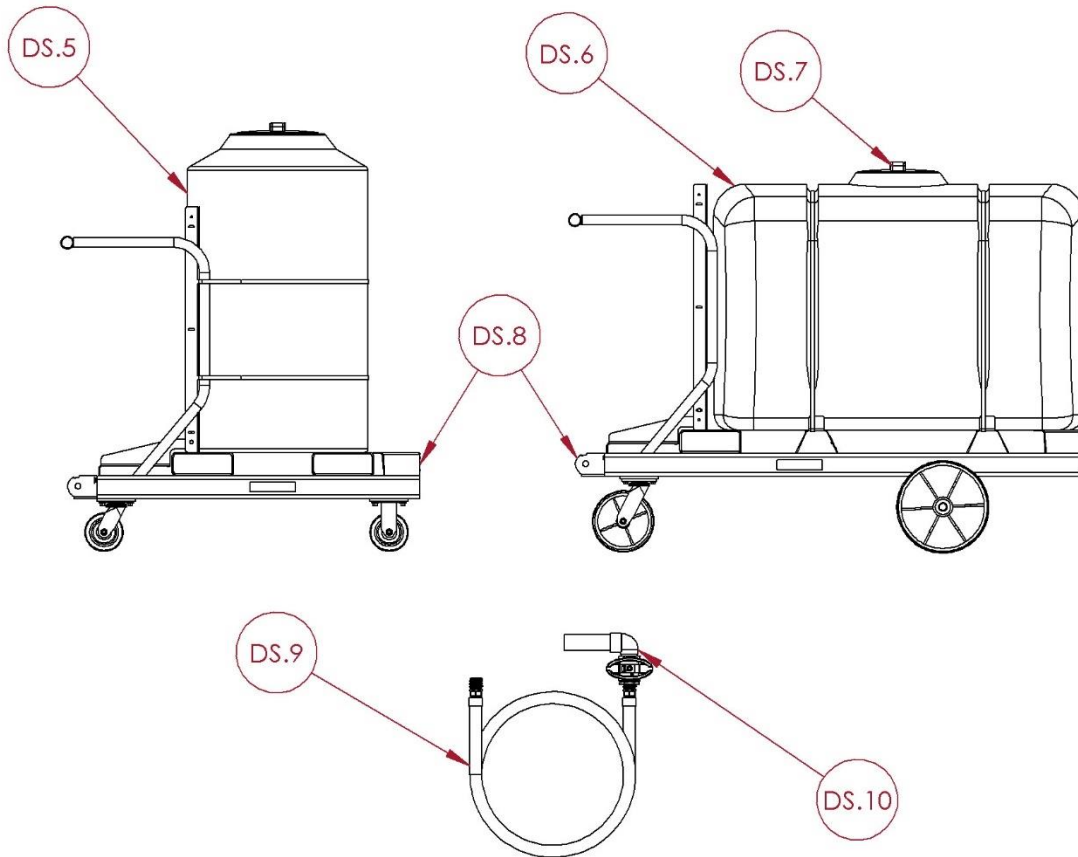
REF	PART NUMBER	DESCRIPTION
DS.1	PCST.SWIV.0501.0000	CASTER - SWIVEL 5" PHENOLIC
DS.2	PCST.RIGI.0501.0000	CASTER - RIGID 5" PHENOLIC

## 7.1.2 WHEELS - "PTL-H" PUSH TOW LIFT TRANSPORT 150 & 200 GAL



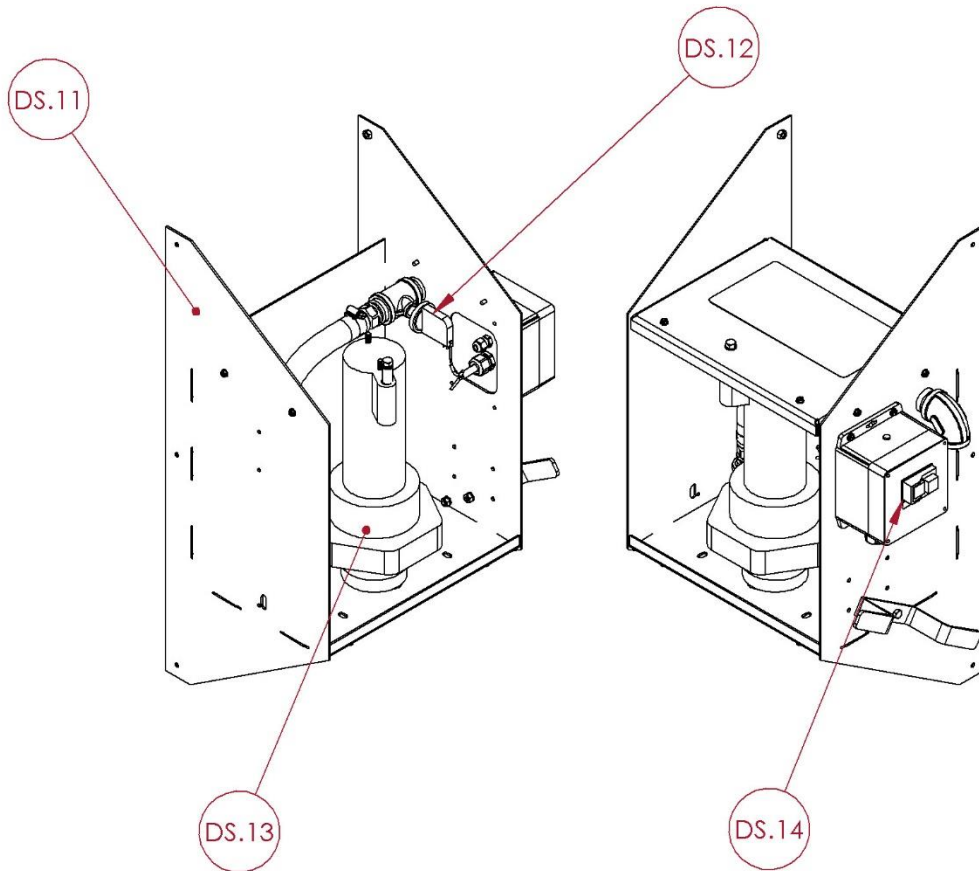
REF	PART NUMBER	DESCRIPTION
DS.3	PCST.SWIV.0801.0000	CASTER - SWIVEL 8" POLY
DS.4	PCST.WHEL.1201.0KIT	WHEEL - 12" x 3"; POLY, WITH SPANNER & WASHER

## 7.2 – TANK



REF	PART NUMBER	DESCRIPTION
DS.5	PFAB.0000.0002.0650	TANK VERT 65 GAL
DS.5	PFAB.0000.0002.1000	TANK VERT 100 GAL
DS.6	PFAB.0000.0002.1500	150 GALLON FLAT BOTTOM
DS.6	PFAB.0000.0002.2000	200 GALLON FLAT BOTTOM
DS.7	PFAB.0000.0013.0000	8" LID WITH BLUE SNAP-IN VENT
DS.8	CALL FOR INFO	DISPENSER TRANSPORT
DS.9	ASC0.0028	HOSE ASSEMBLY, DISPENSER, 1" x 16'
DS.10	ASC0.0064	NOZZLE - VALVE ASSEMBLY 1"

### 7.3 – PUMP ASSEMBLY



REF	PART NUMBER	DESCRIPTION
DS.11	DE4-V	DE4-V PUMP ASSEMBLY
DS.12	PELE.SW0.0001.0000	PRESSURE SWITCH
DS.13	PMOT.PUMP.0003.00000	PUMP - DIAPHRAGM 110VAC
DS.14	ADP0.0033	CONTROL BOX
DS.15	PELE.MIS0.0013.0000	POWER CORD (NOT SHOWN)

## SECTION 8 – WARRANTY

### WARRANTY STATEMENT

PLEASE PRINT OUR WARRANTY AT [HTTPS://CECOR.NET/CECOR-WARRANTY/](https://cecor.net/cecor-warranty/)





## SECTION 9 – RECORD MODEL & SERIAL NUMBER

WHEN YOU RECEIVE YOUR CECOR DISPENSER, RECORD THE MODEL NUMBER, SERIAL NUMBER AND DATE DELIVERED FOR YOUR RECORDS.

<p><b>MODEL #:</b> _____</p> <p><b>SERIAL #:</b> _____</p> <p><b>DELIVERED:</b> _____ / _____ / _____</p>
---



# CECOR®

