

2

1

B

B

A

A

79 1/4"

102 1/4"

107 13/16"

45 5/16"

CECOR* 1000 Jamse Ave.
 Belleville, WI 53508
 Phone: (608) 845-6771
 Email: cecor@cecor.net

TITLE:
**SP50-400TW-HD
 STANDARD**

**PROPRIETARY AND
 CONFIDENTIAL:**
 THE INFORMATION
 CONTAINED IN THIS
 DRAWING IS THE SOLE
 PROPERTY OF CECOR.
 ANY REPRODUCTION IN
 PART OR AS A WHOLE
 WITHOUT THE WRITTEN
 PERMISSION OF CECOR
 IS PROHIBITED.

UNITS: INCHES
 TOLERANCES:
 FRAC: ± 1/4"

DRAWN:
 BY
 BPU
 DATE
 07/18/24

DWG. NO.
ASC0.0230

REV
0

CUSTOMER SIGN OFF: _____ DATE: _____

2

1

2

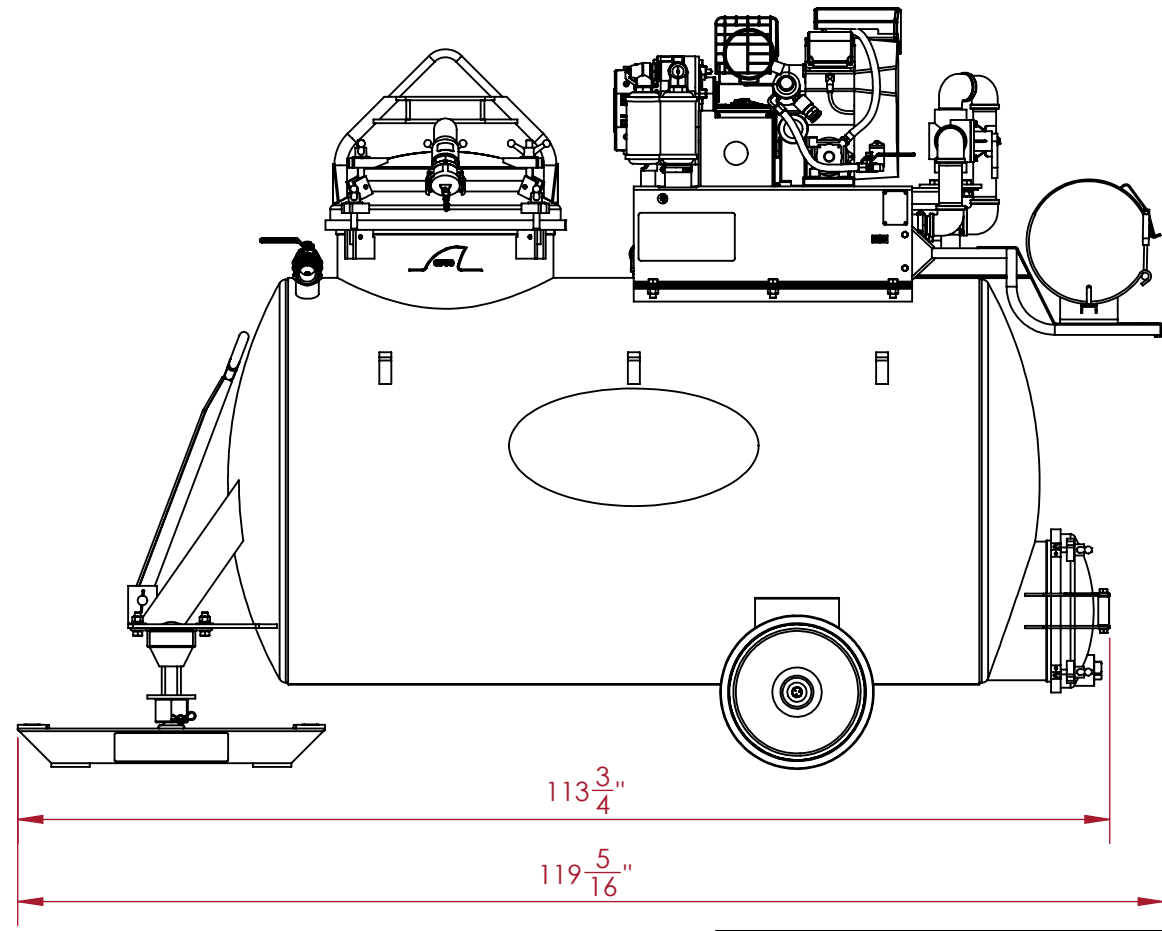
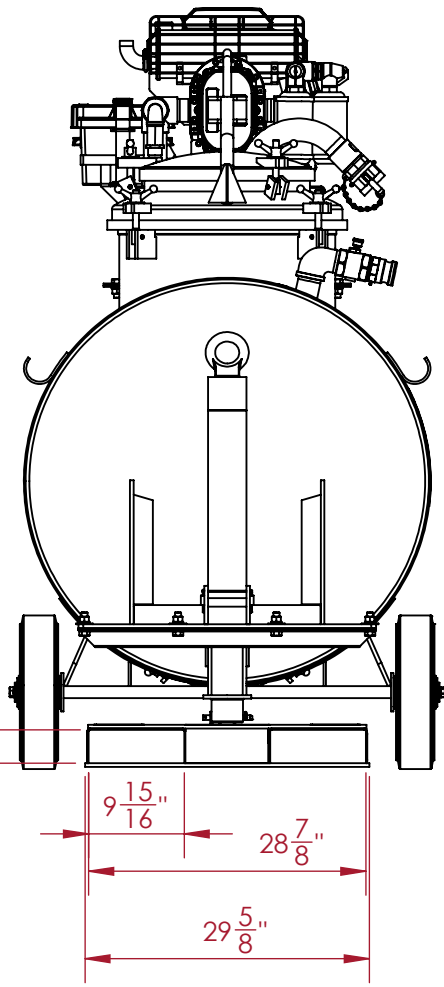
1

B

B

A

A



CUSTOMER SIGN OFF: _____ DATE: _____

PROPRIETARY AND CONFIDENTIAL:
 THE INFORMATION CONTAINED IN THIS DRAWING IS THE SOLE PROPERTY OF CECOR. ANY REPRODUCTION IN PART OR AS A WHOLE WITHOUT THE WRITTEN PERMISSION OF CECOR IS PROHIBITED.

UNITS: INCHES
 TOLERANCES:
 FRAC: ± 1/4"

CECOR* 1000 Jamse Ave.
 Belleville, WI 53508
 Phone: (608) 845-6771
 Email: cecor@cecor.net

TITLE:
PALLET ATTACHMENT

DRAWN: BY BPU DATE 07/18/24	DWG. NO. ASC0.0230	REV 0
---	-----------------------	----------

2

1