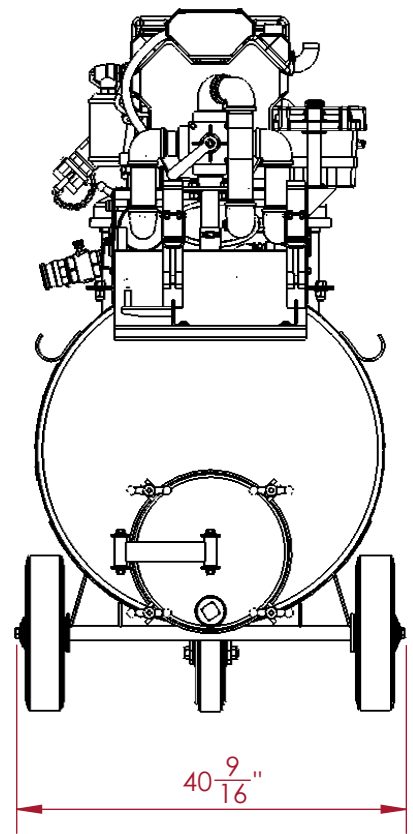
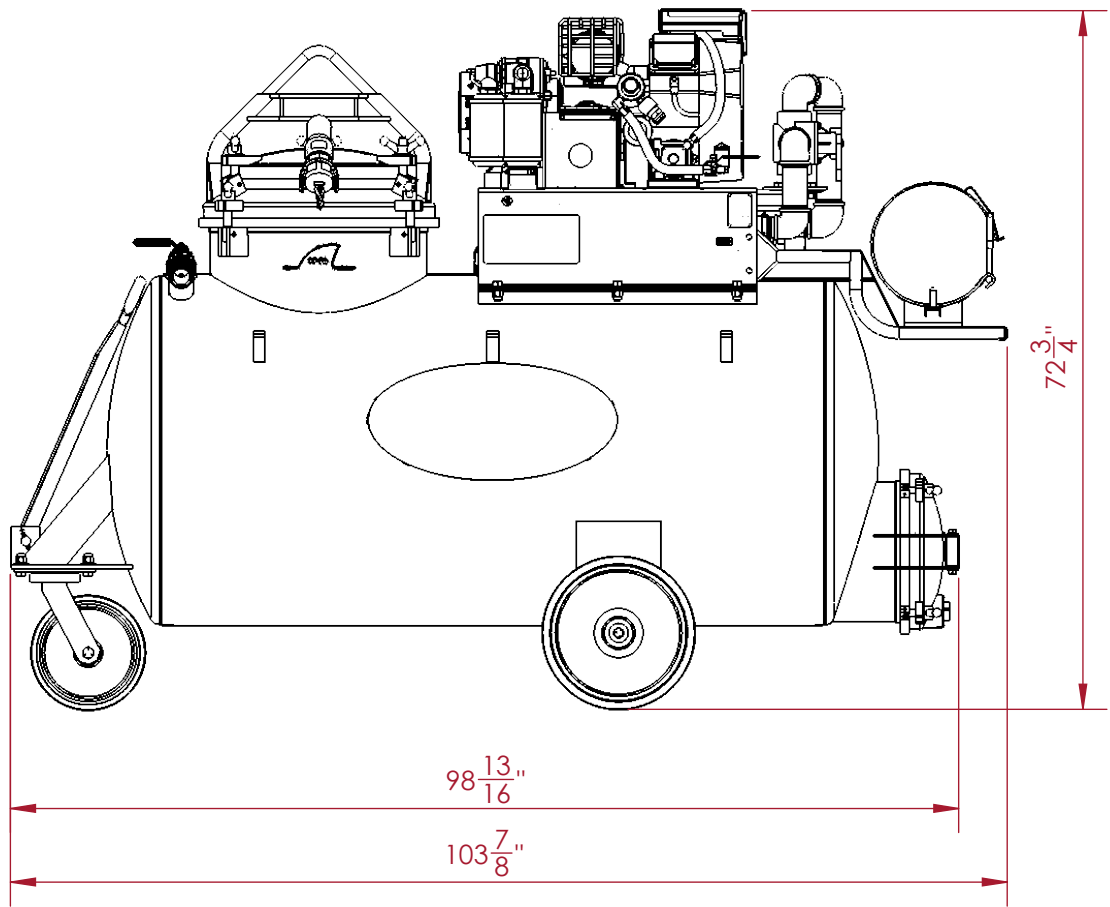


2

1

B

B



A

A

CECOR* 1000 Jamse Ave.
 Belleville, WI 53508
 Phone: (608) 845-6771
 Email: cecor@cecor.net

TITLE:
**SP50-300TW-HD
 STANDARD**

**PROPRIETARY AND
 CONFIDENTIAL:**
 THE INFORMATION
 CONTAINED IN THIS
 DRAWING IS THE SOLE
 PROPERTY OF CECOR.
 ANY REPRODUCTION IN
 PART OR AS A WHOLE
 WITHOUT THE WRITTEN
 PERMISSION OF CECOR
 IS PROHIBITED.

UNITS: INCHES
 TOLERANCES:
 FRAC: ± 1/4"

DRAWN: BY BPU DATE 07/18/24	DWG. NO. ASC0.0229	REV 0
---	-----------------------	----------

CUSTOMER SIGN OFF: _____ DATE: _____

2

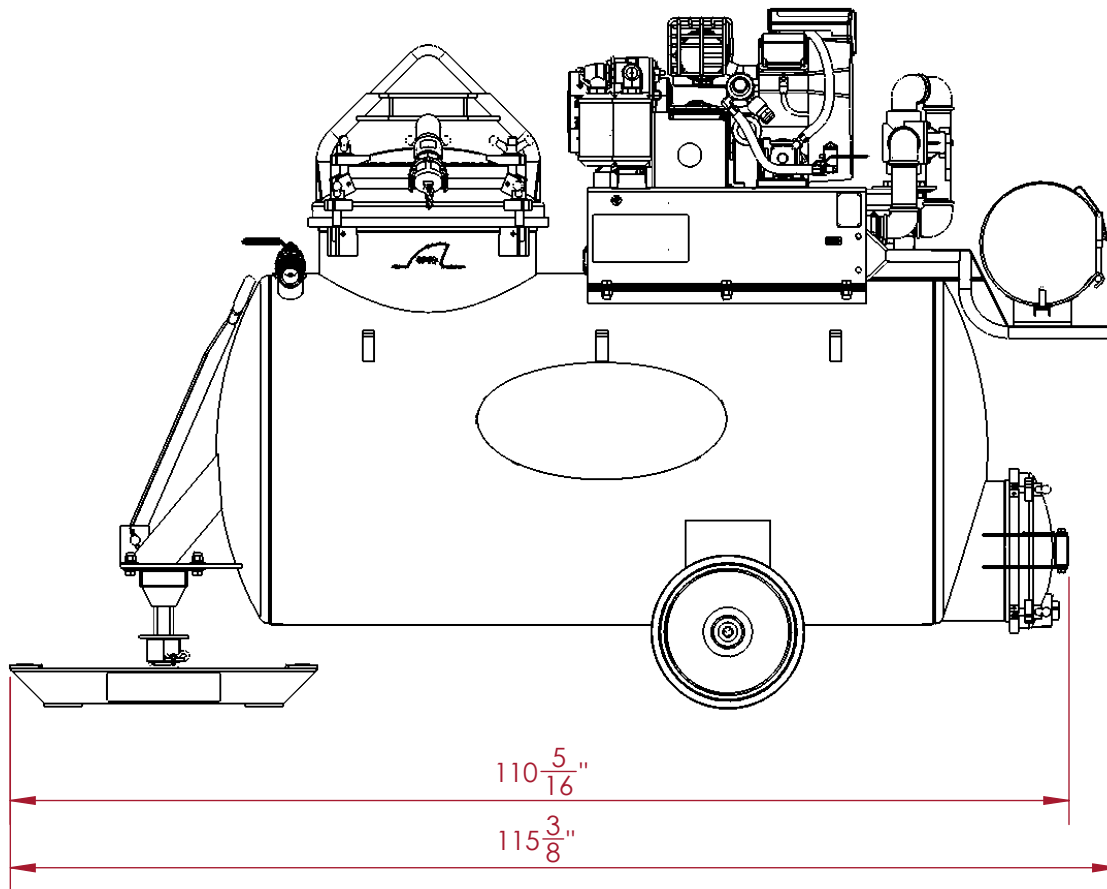
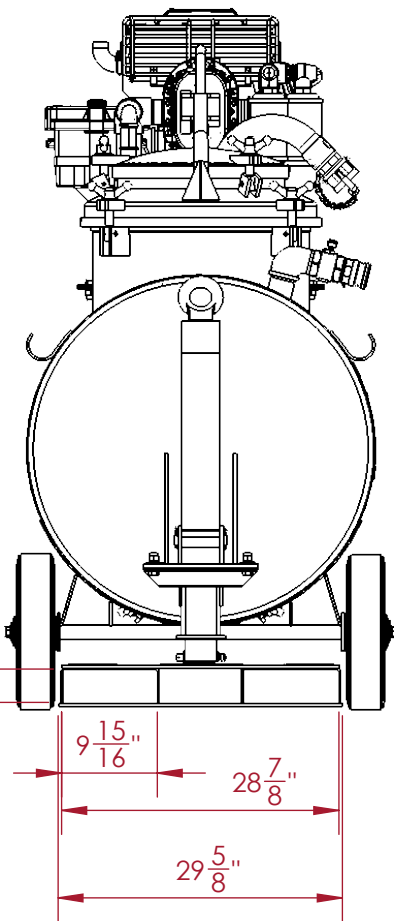
1

2

1

B

B



A

A

CECOR* 1000 Jamse Ave.
 Belleville, WI 53508
 Phone: (608) 845-6771
 Email: cecor@cecor.net

TITLE:
**PALLET ATTACHMENT
 (OPTIONAL)**

PROPRIETARY AND
 CONFIDENTIAL:
 THE INFORMATION
 CONTAINED IN THIS
 DRAWING IS THE SOLE
 PROPERTY OF CECOR.
 ANY REPRODUCTION IN
 PART OR AS A WHOLE
 WITHOUT THE WRITTEN
 PERMISSION OF CECOR
 IS PROHIBITED.

UNITS: INCHES
 TOLERANCES:
 FRAC: ± 1/4"

DRAWN:
 BY
 BPU
 DATE
 07/18/24

DWG. NO.
 ASC0.0229

REV
 0

CUSTOMER SIGN OFF: _____ DATE: _____

2

1