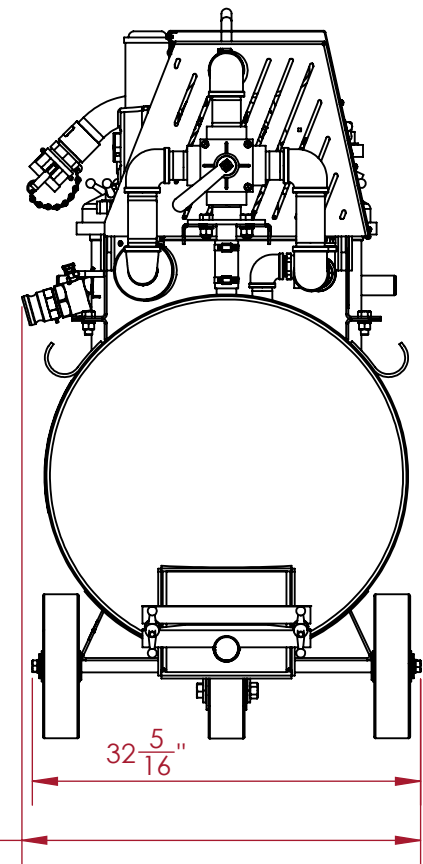
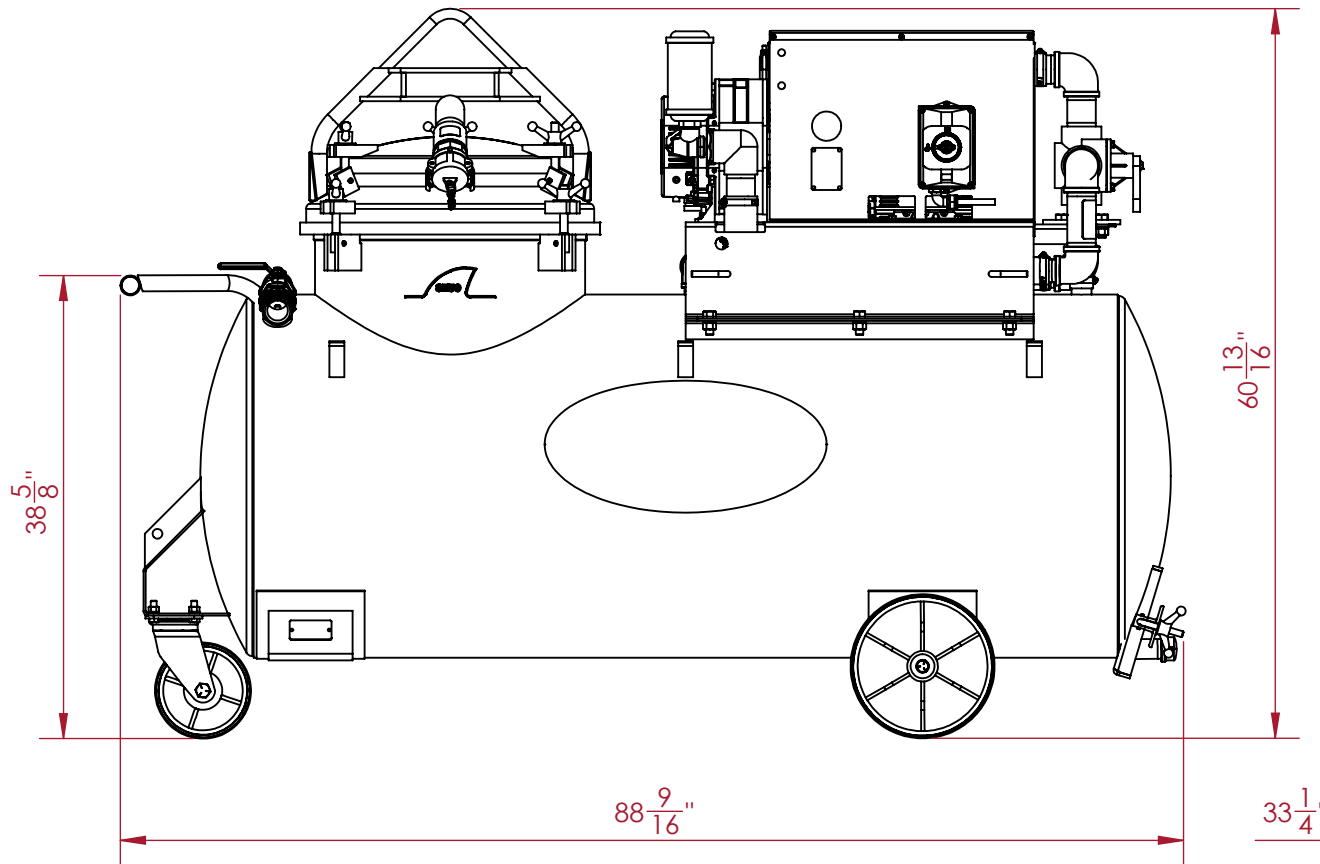


2

1

B

B



A

A

**CECOR**\* 1000 Jamse Ave.  
 Belleville, WI 53508  
 Phone: (608) 845-6771  
 Email: cecor@cecor.net

TITLE:  
**SE50-200PTL-HD  
 STANDARD**

**PROPRIETARY AND  
 CONFIDENTIAL:**  
 THE INFORMATION  
 CONTAINED IN THIS  
 DRAWING IS THE SOLE  
 PROPERTY OF CECOR.  
 ANY REPRODUCTION IN  
 PART OR AS A WHOLE  
 WITHOUT THE WRITTEN  
 PERMISSION OF CECOR  
 IS PROHIBITED.

UNITS: INCHES  
 TOLERANCES:  
 FRAC: ± 1/4"

|   |                       |          |
|---|-----------------------|----------|
| DRAWN:<br>BY<br>BPU<br>DATE<br>07/18/24 | DWG. NO.<br>ASC0.0220 | REV<br>0 |
|---|-----------------------|----------|

CUSTOMER SIGN OFF: \_\_\_\_\_ DATE: \_\_\_\_\_

2

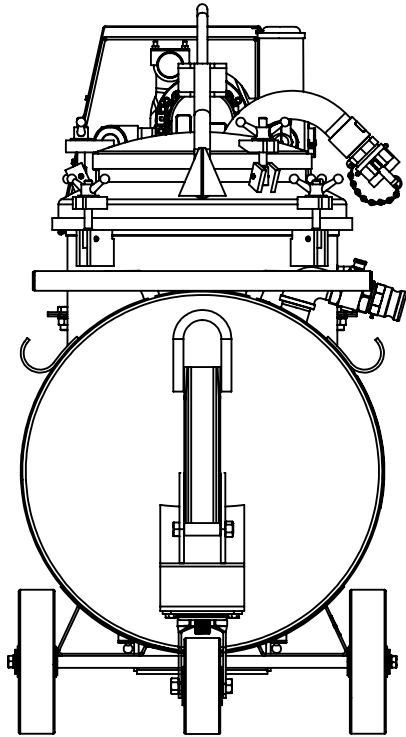
1

2

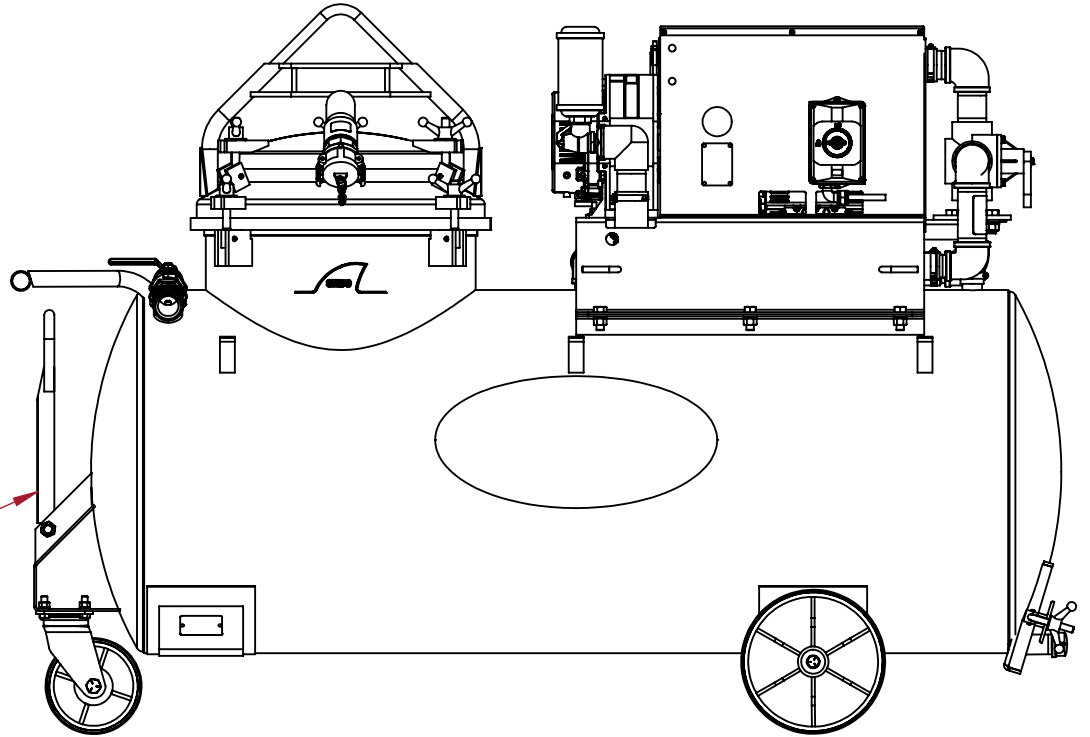
1

B

B



TOW BAR



A

A

**CECOR**\* 1000 Jamse Ave.  
 Belleville, WI 53508  
 Phone: (608) 845-6771  
 Email: cecor@cecor.net

TITLE:  
**TOW BAR ADD-ON  
 (OPTIONAL)**

**PROPRIETARY AND  
 CONFIDENTIAL:**  
 THE INFORMATION  
 CONTAINED IN THIS  
 DRAWING IS THE SOLE  
 PROPERTY OF CECOR.  
 ANY REPRODUCTION IN  
 PART OR AS A WHOLE  
 WITHOUT THE WRITTEN  
 PERMISSION OF CECOR  
 IS PROHIBITED.

UNITS: INCHES  
 TOLERANCES:  
 FRAC: ± 1/4"

|   |                       |          |
|---|-----------------------|----------|
| DRAWN:<br>BY<br>BPU<br>DATE<br>07/18/24 | DWG. NO.<br>ASC0.0220 | REV<br>0 |
|---|-----------------------|----------|

CUSTOMER SIGN OFF: \_\_\_\_\_ DATE: \_\_\_\_\_

2

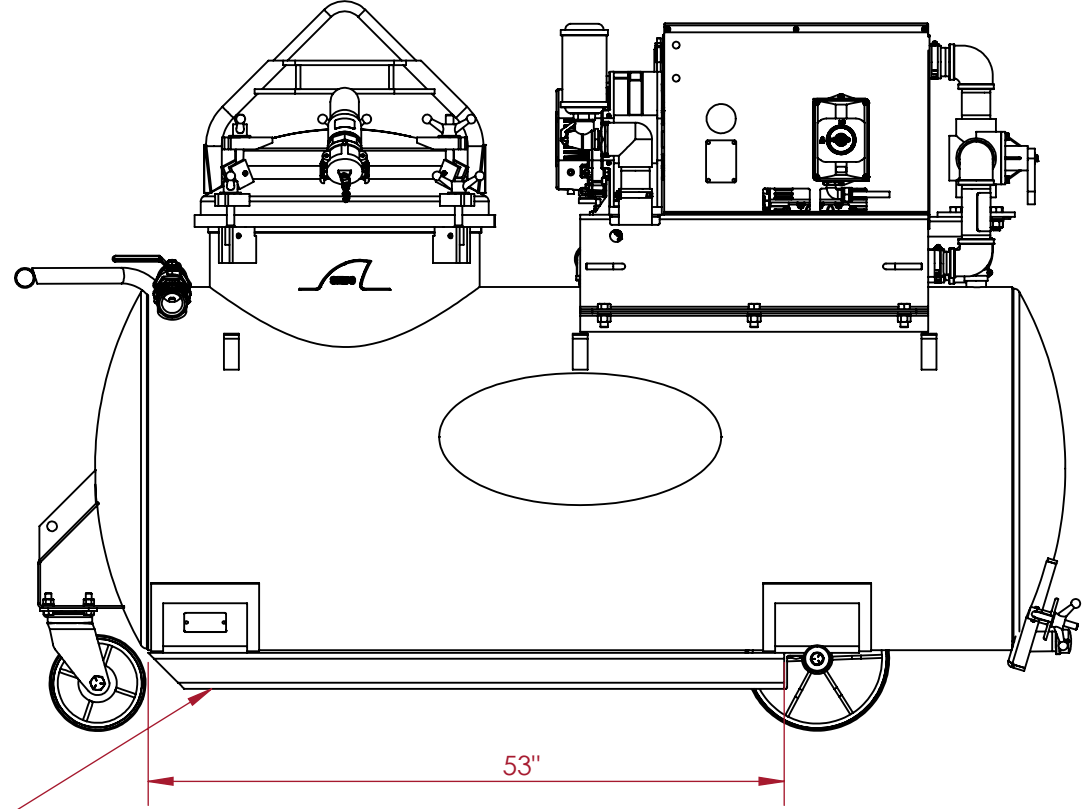
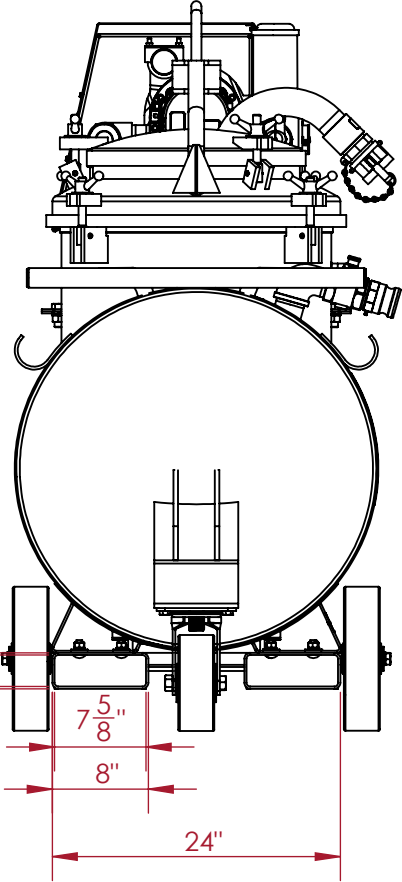
1

2

1

B

B



A

A

**CECOR**\* 1000 Jamse Ave.  
Belleville, WI 53508  
Phone: (608) 845-6771  
Email: cecor@cecor.net

TITLE:  
**TOW BAR ADD-ON  
(OPTIONAL)**

**PROPRIETARY AND  
CONFIDENTIAL:**  
THE INFORMATION  
CONTAINED IN THIS  
DRAWING IS THE SOLE  
PROPERTY OF CECOR.  
ANY REPRODUCTION IN  
PART OR AS A WHOLE  
WITHOUT THE WRITTEN  
PERMISSION OF CECOR  
IS PROHIBITED.

UNITS: INCHES  
TOLERANCES:  
FRAC: ± 1/4"

|   |                       |          |
|---|-----------------------|----------|
| DRAWN:<br>BY<br>BPU<br>DATE<br>07/18/24 | DWG. NO.<br>ASC0.0220 | REV<br>0 |
|---|-----------------------|----------|

CUSTOMER SIGN OFF: \_\_\_\_\_ DATE: \_\_\_\_\_

2

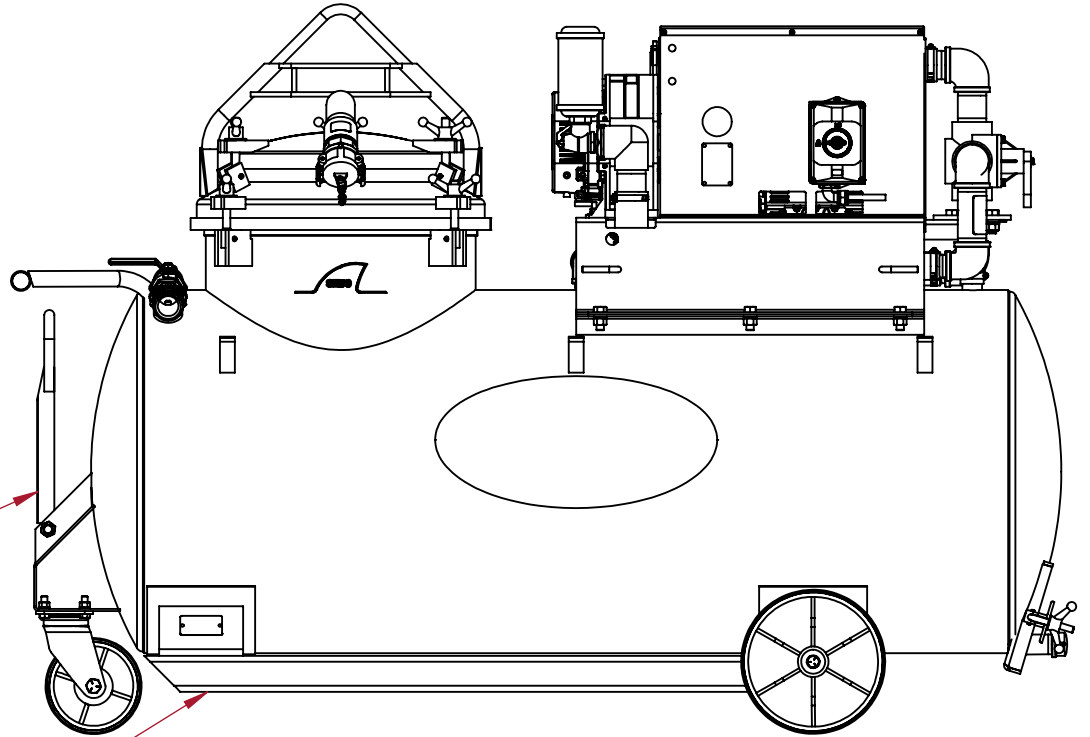
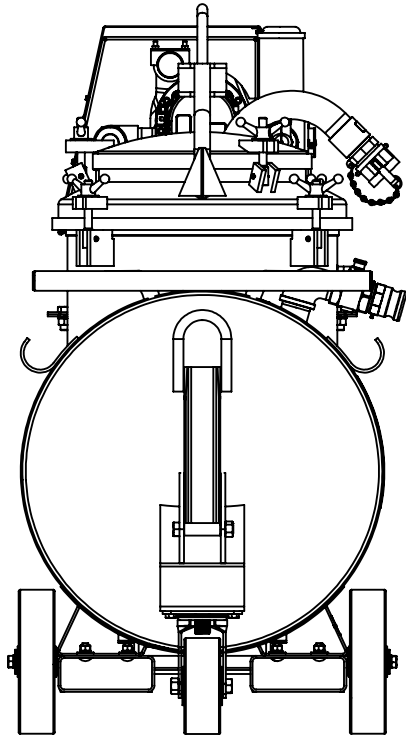
1

2

1

B

B



TOW BAR

FORK POCKETS

A

A

**CECOR**\* 1000 Jamse Ave.  
 Belleville, WI 53508  
 Phone: (608) 845-6771  
 Email: cecor@cecor.net

TITLE:  
**TOW BAR ADD-ON  
 (OPTIONAL)**

**PROPRIETARY AND  
 CONFIDENTIAL:**  
 THE INFORMATION  
 CONTAINED IN THIS  
 DRAWING IS THE SOLE  
 PROPERTY OF CECOR.  
 ANY REPRODUCTION IN  
 PART OR AS A WHOLE  
 WITHOUT THE WRITTEN  
 PERMISSION OF CECOR  
 IS PROHIBITED.

UNITS: INCHES  
 TOLERANCES:  
 FRAC: ± 1/4"

|   |                       |          |
|---|-----------------------|----------|
| DRAWN:<br>BY<br>BPU<br>DATE<br>07/18/24 | DWG. NO.<br>ASC0.0220 | REV<br>0 |
|---|-----------------------|----------|

CUSTOMER SIGN OFF: \_\_\_\_\_ DATE: \_\_\_\_\_

2

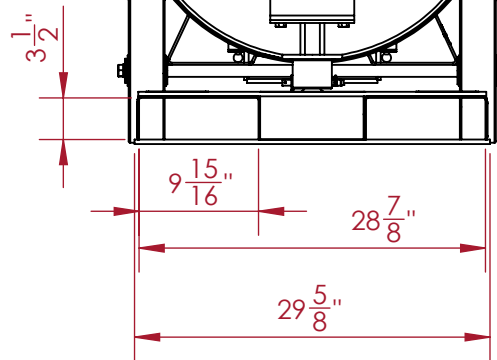
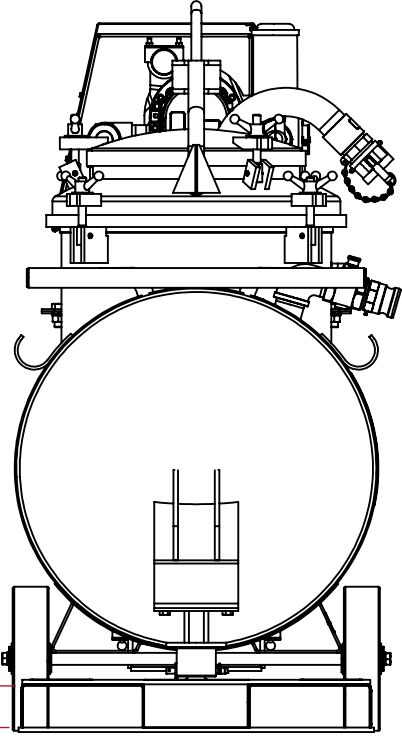
1

2

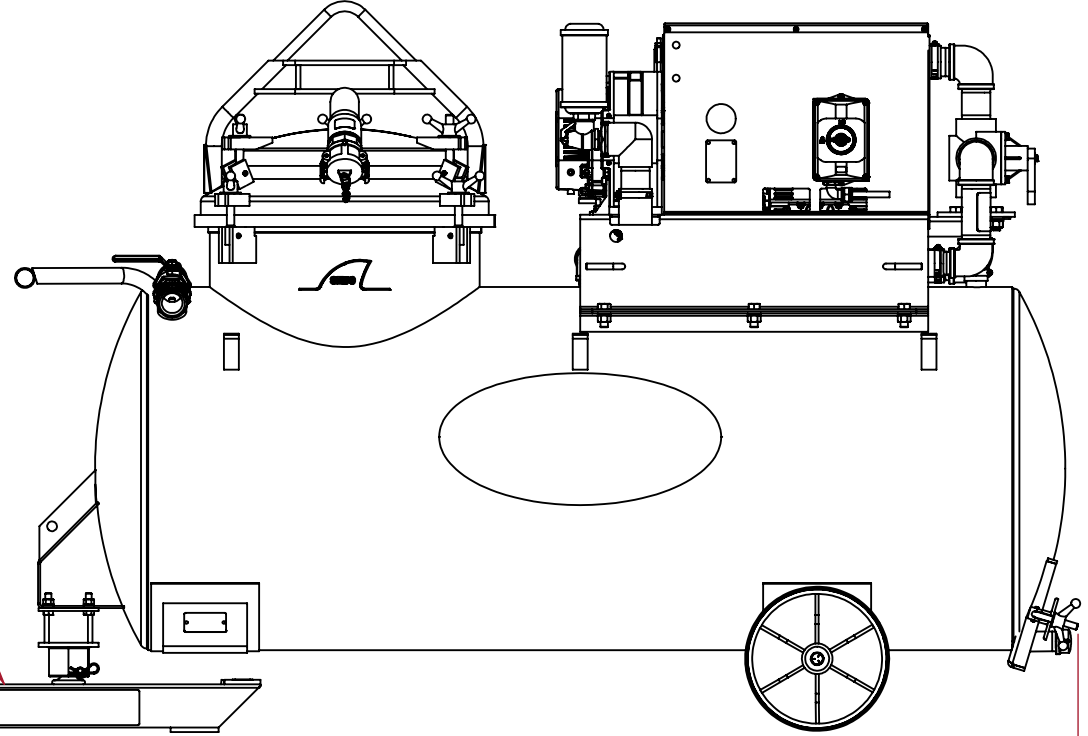
1

B

B



PALLET



A

A

CUSTOMER SIGN OFF: \_\_\_\_\_ DATE: \_\_\_\_\_

**PROPRIETARY AND CONFIDENTIAL:**  
 THE INFORMATION CONTAINED IN THIS DRAWING IS THE SOLE PROPERTY OF CECOR. ANY REPRODUCTION IN PART OR AS A WHOLE WITHOUT THE WRITTEN PERMISSION OF CECOR IS PROHIBITED.

UNITS: INCHES  
 TOLERANCES:  
 FRAC: ± 1/4"

**CECOR**\* 1000 Jamse Ave.  
 Belleville, WI 53508  
 Phone: (608) 845-6771  
 Email: cecor@cecor.net

TITLE:  
**TOW BAR ADD-ON  
 (OPTIONAL)**

|   |                       |          |
|---|-----------------------|----------|
| DRAWN:<br>BY<br>BPU<br>DATE<br>07/18/24 | DWG. NO.<br>ASC0.0220 | REV<br>0 |
|---|-----------------------|----------|

2

1