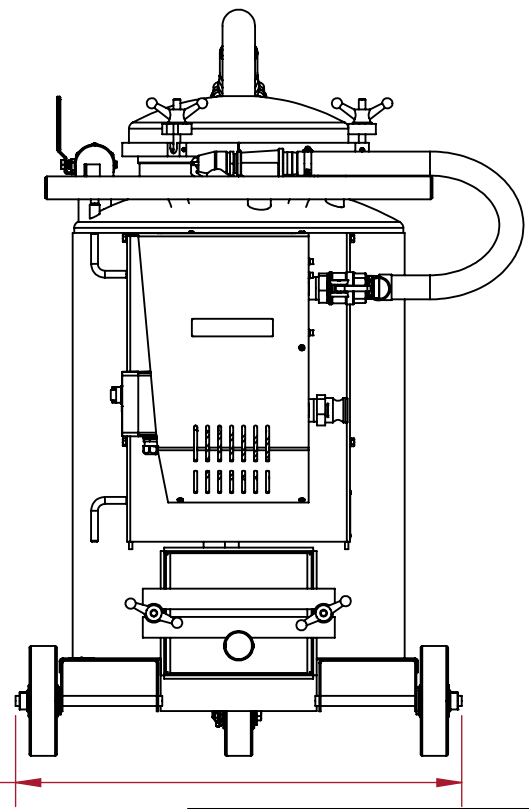
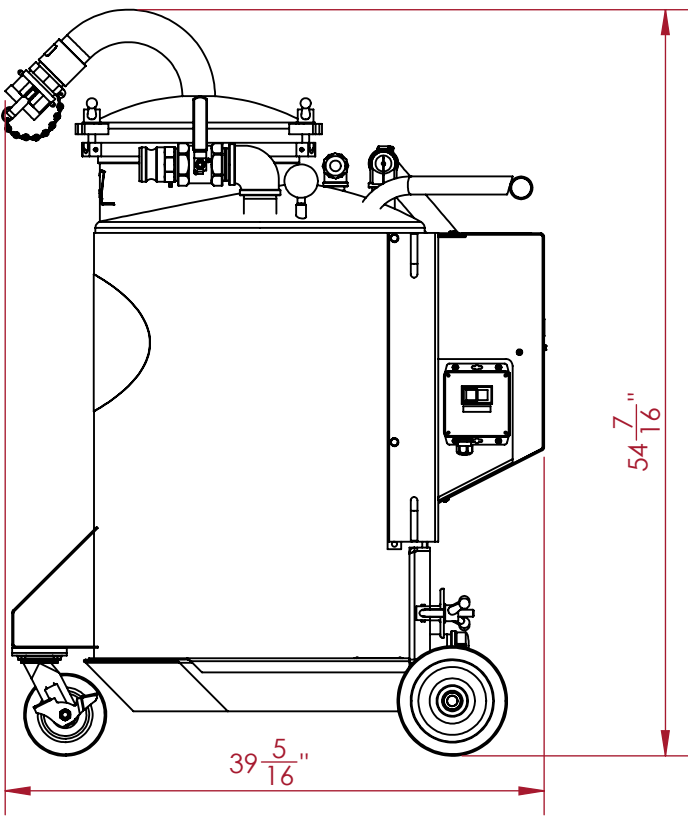


2

1

B

B



A

A

CECOR* 1000 Jamse Ave.
 Belleville, WI 53508
 Phone: (608) 845-6771
 Email: cecor@cecor.net

TITLE:
**SE15-060PTL-V-F10
 STANDARD**

**PROPRIETARY AND
 CONFIDENTIAL:**
 THE INFORMATION
 CONTAINED IN THIS
 DRAWING IS THE SOLE
 PROPERTY OF CECOR.
 ANY REPRODUCTION IN
 PART OR AS A WHOLE
 WITHOUT THE WRITTEN
 PERMISSION OF CECOR
 IS PROHIBITED.

UNITS: INCHES
 TOLERANCES:
 FRAC: ± 1/4"

DRAWN: BY BPU DATE 07/22/24	DWG. NO. ASC0.0214	REV 0
---	-----------------------	----------

CUSTOMER SIGN OFF: _____ DATE: _____

2

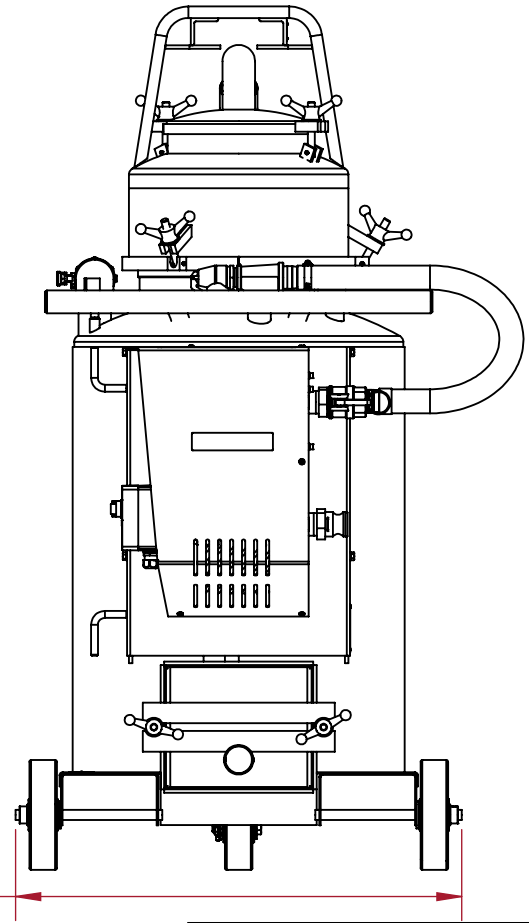
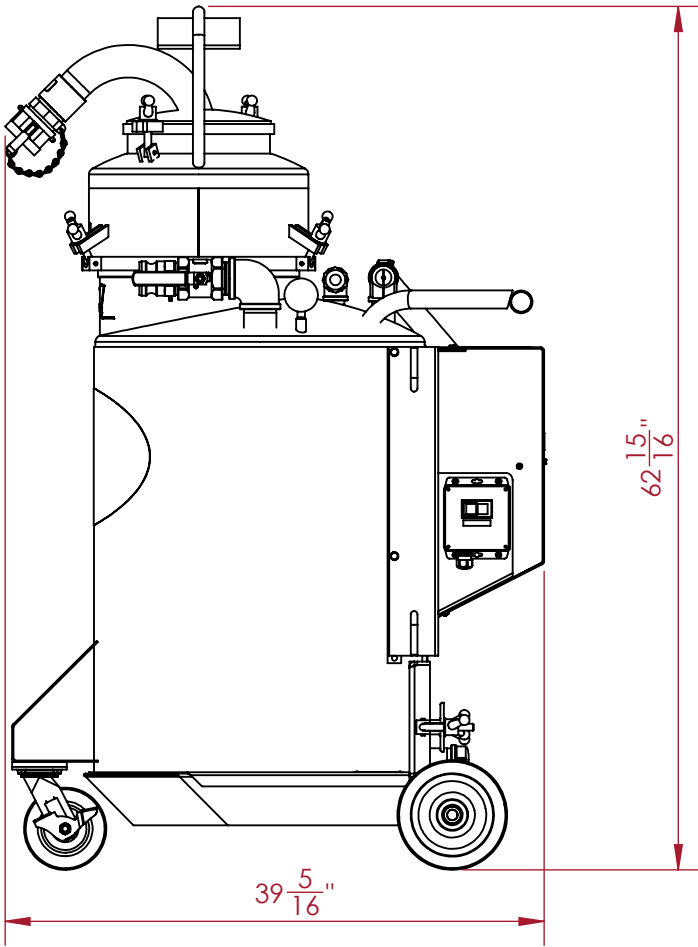
1

2

1

B

B



A

A

CUSTOMER SIGN OFF: _____ DATE: _____

PROPRIETARY AND CONFIDENTIAL:
 THE INFORMATION CONTAINED IN THIS DRAWING IS THE SOLE PROPERTY OF CECOR. ANY REPRODUCTION IN PART OR AS A WHOLE WITHOUT THE WRITTEN PERMISSION OF CECOR IS PROHIBITED.

UNITS: INCHES
 TOLERANCES:
 FRAC: ± 1/4"

CECOR* 1000 Jamse Ave.
 Belleville, WI 53508
 Phone: (608) 845-6771
 Email: cecor@cecor.net

TITLE:
**SE15-060PTL-V-F23
 STANDARD**

DRAWN: BY BPU DATE 07/22/24	DWG. NO. ASC0.0214	REV 0
---	------------------------------	-----------------

2

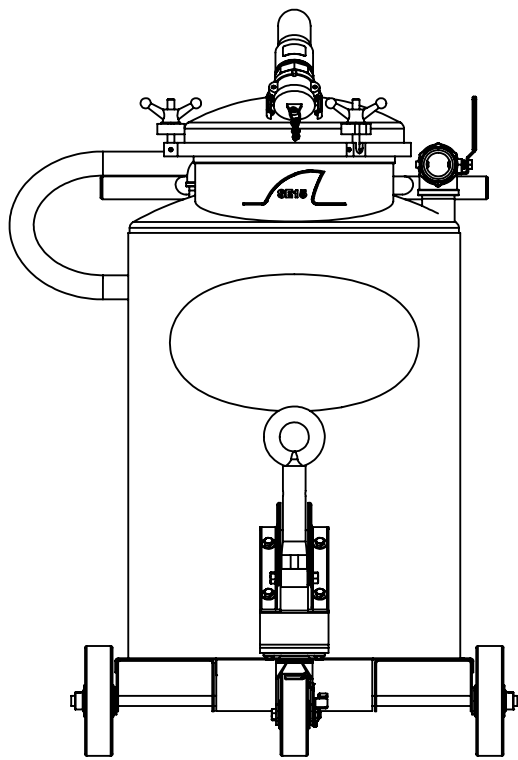
1

2

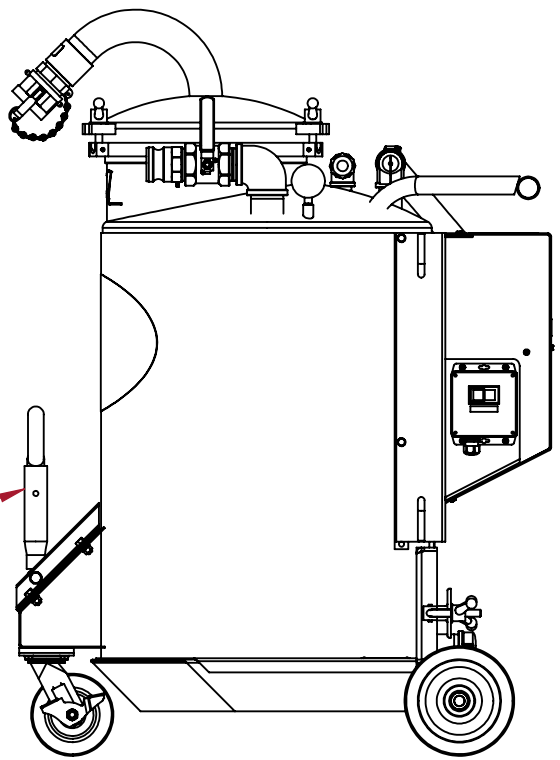
1

B

B



TOW BAR



A

A

CECOR* 1000 Jamse Ave.
 Belleville, WI 53508
 Phone: (608) 845-6771
 Email: cecor@cecor.net

TITLE:
**TOW BAR ADD-ON
 (OPTIONAL)**

**PROPRIETARY AND
 CONFIDENTIAL:**
 THE INFORMATION
 CONTAINED IN THIS
 DRAWING IS THE SOLE
 PROPERTY OF CECOR.
 ANY REPRODUCTION IN
 PART OR AS A WHOLE
 WITHOUT THE WRITTEN
 PERMISSION OF CECOR
 IS PROHIBITED.

UNITS: INCHES
 TOLERANCES:
 FRAC: ± 1/4"

DRAWN: BY BPU DATE 07/22/24	DWG. NO. ASC0.0214	REV 0
---	-----------------------	----------

CUSTOMER SIGN OFF: _____ DATE: _____

2

1