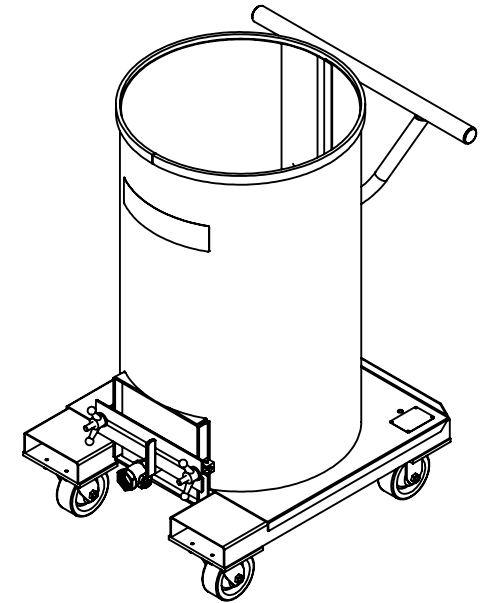
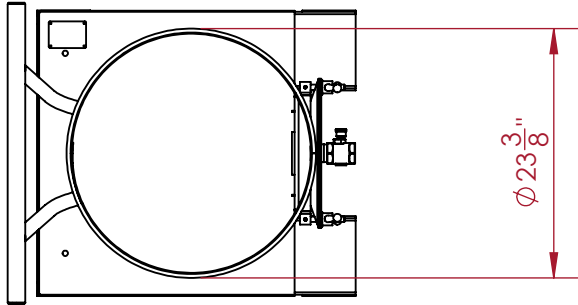


2

1

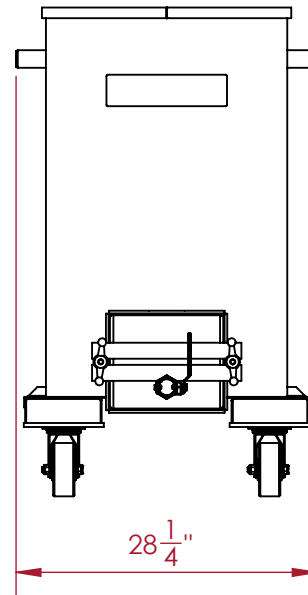
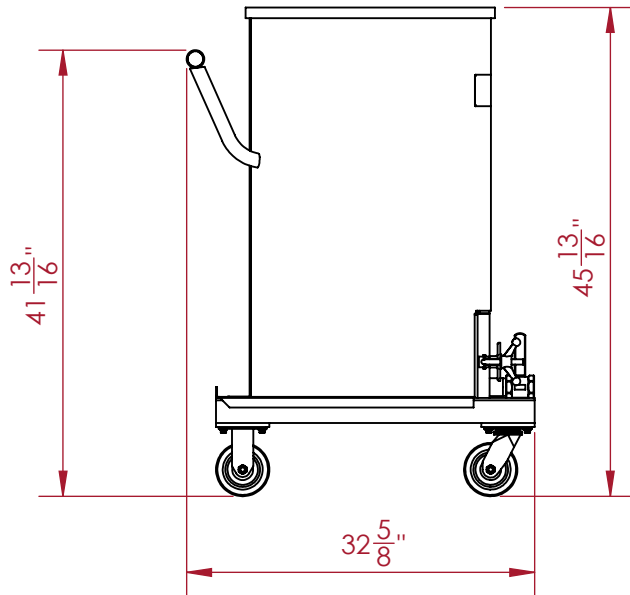
B

B



A

A



CUSTOMER SIGN OFF: \_\_\_\_\_ DATE: \_\_\_\_\_

**PROPRIETARY AND CONFIDENTIAL:**  
 THE INFORMATION CONTAINED IN THIS DRAWING IS THE SOLE PROPERTY OF CECOR. ANY REPRODUCTION IN PART OR AS A WHOLE WITHOUT THE WRITTEN PERMISSION OF CECOR IS PROHIBITED.

UNITS: INCHES  
 TOLERANCES:  
 FRAC:  $\pm 1/32$ "  
 DEC:  $\pm 0.03$

**CECOR**<sup>®</sup> 1000 Jamse Ave.  
 Belleville, WI 53508  
 Phone: (608) 845-6771  
 Email: cecor@cecor.net

TITLE:  
**TX-55PL**

DRAWN: BY BPU DATE 07/22/24	DWG. NO. <b>ASC0.0192</b>	REV <b>0</b>
-----------------------------------------	------------------------------	-----------------

2

1