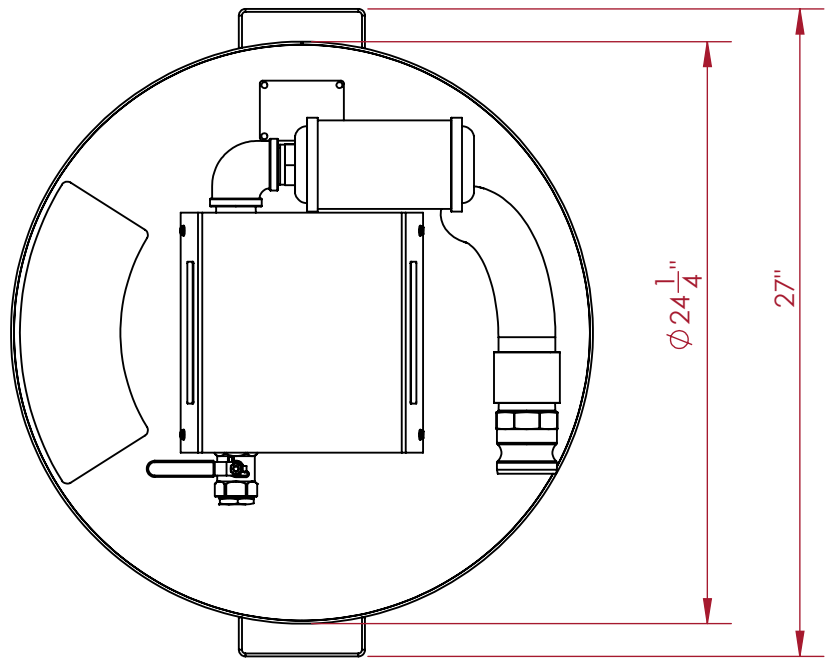


2

1

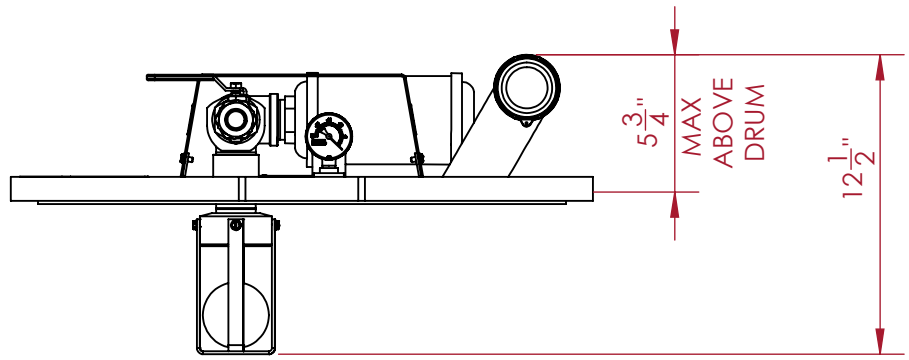
B

B



A

A



PROPRIETARY AND CONFIDENTIAL:
 THE INFORMATION CONTAINED IN THIS DRAWING IS THE SOLE PROPERTY OF CECOR. ANY REPRODUCTION IN PART OR AS A WHOLE WITHOUT THE WRITTEN PERMISSION OF CECOR IS PROHIBITED.

UNITS: INCHES
 TOLERANCES:
 FRAC: $\pm 1/16$ "

CECOR.^{*} 1000 Jamse Ave.
 Belleville, WI 53508
 Phone: (608) 845-6771
 Email: cecor@cecor.net

TITLE:
SA5-DT

CUSTOMER SIGN OFF: _____ DATE: _____

DRAWN: BY BPU DATE 12/03/21	DWG. NO. ASC0.0190	REV 3
---	------------------------------	-----------------

2

1