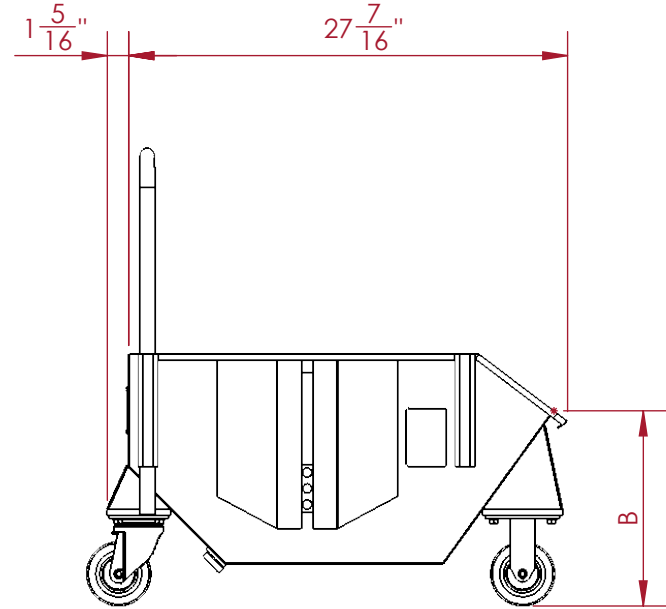
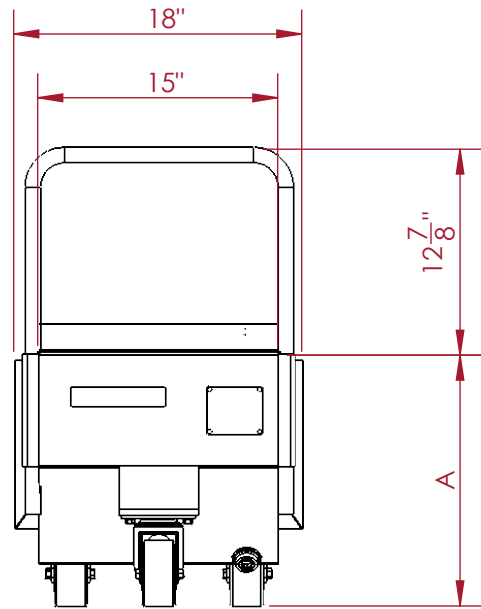


2

1

B

B



A

A

| CASTER SIZE | CART HEIGHT "A" | LIP HEIGHT "B" |
|-------------|------------------------------------|------------------------------------|
| 3" | 14 ⁵ / ₁₆ " | 10 ¹³ / ₁₆ " |
| 4" | 15 ¹¹ / ₁₆ " | 12 ³ / ₁₆ " |
| 5" | 16 ² / ₁₆ " | 13 ¹ / ₁₆ " |

CECOR* 1000 Jamse Ave.
 Belleville, WI 53508
 Phone: (608) 845-6771
 Email: cecor@cecor.net

PROPRIETARY AND CONFIDENTIAL:
 THE INFORMATION CONTAINED IN THIS DRAWING IS THE SOLE PROPERTY OF CECOR. ANY REPRODUCTION IN PART OR AS A WHOLE WITHOUT THE WRITTEN PERMISSION OF CECOR IS PROHIBITED.

UNITS: INCHES
 TOLERANCES:
 FRAC: ± 1/32"
 DEC: ±0.03

TITLE: **L42 SALES DWG**

| | | |
|---|------------------------------|-----------------|
| DRAWN: BY BPU DATE 04/26/24 | DWG. NO. ACT0.0154 | REV 0 |
|---|------------------------------|-----------------|

CUSTOMER SIGN OFF: _____ DATE: _____

2

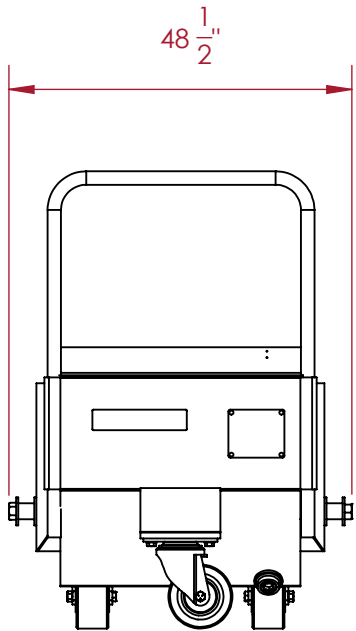
1

2

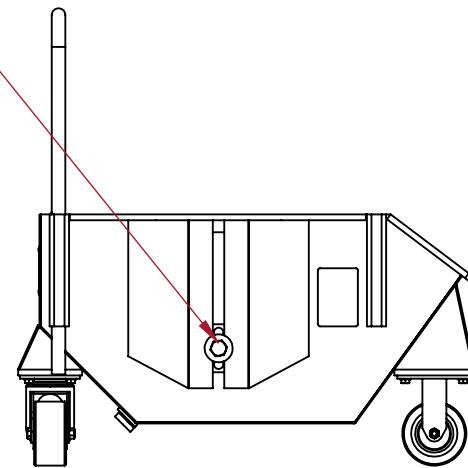
1

B

B



TRUNNION HARDWARE



WORKS WITH DF-1044 DUMPING FRAME

A

A

CECOR* 1000 Jamse Ave.
 Belleville, WI 53508
 Phone: (608) 845-6771
 Email: cecor@cecor.net

PROPRIETARY AND CONFIDENTIAL:
 THE INFORMATION CONTAINED IN THIS DRAWING IS THE SOLE PROPERTY OF CECOR. ANY REPRODUCTION IN PART OR AS A WHOLE WITHOUT THE WRITTEN PERMISSION OF CECOR IS PROHIBITED.

TITLE:
**L42 SALES DWG
 TRUNNION HARDWARE**

CUSTOMER SIGN OFF: _____ DATE: _____

UNITS: INCHES
 TOLERANCES:
 FRAC: $\pm 1/32$ "
 DEC: ± 0.03

DRAWN:
 BY
 BPU
 DATE
 04/26/24

DWG. NO.
ACT0.0154

REV
0

2

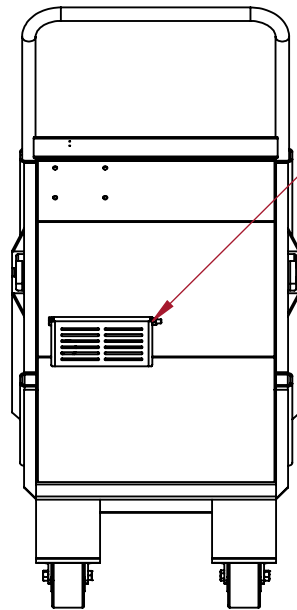
1

2

1

B

B



DRAIN FLAPPER

A

A

CECOR* 1000 Jamse Ave.
 Belleville, WI 53508
 Phone: (608) 845-6771
 Email: cecor@cecor.net

PROPRIETARY AND CONFIDENTIAL:
 THE INFORMATION CONTAINED IN THIS DRAWING IS THE SOLE PROPERTY OF CECOR. ANY REPRODUCTION IN PART OR AS A WHOLE WITHOUT THE WRITTEN PERMISSION OF CECOR IS PROHIBITED.

TITLE: **L42 SALES DWG
 DRAIN FLAPPER**

CUSTOMER SIGN OFF: _____ DATE: _____

UNITS: INCHES
 TOLERANCES:
 FRAC: ± 1/32"
 DEC: ±0.03

| | | |
|---|------------------------------|-----------------|
| DRAWN: BY BPU DATE 04/26/24 | DWG. NO. ACT0.0154 | REV 0 |
|---|------------------------------|-----------------|

2

1