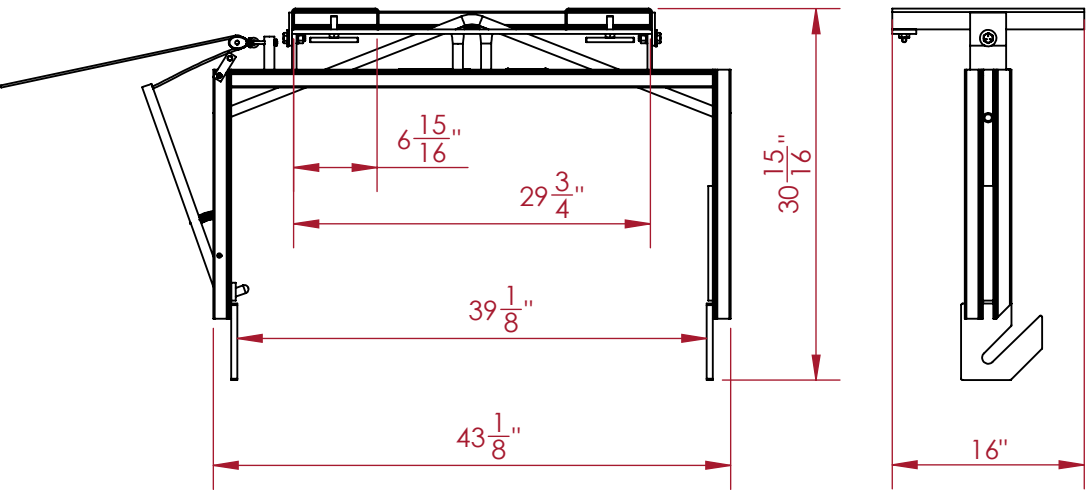


2

1

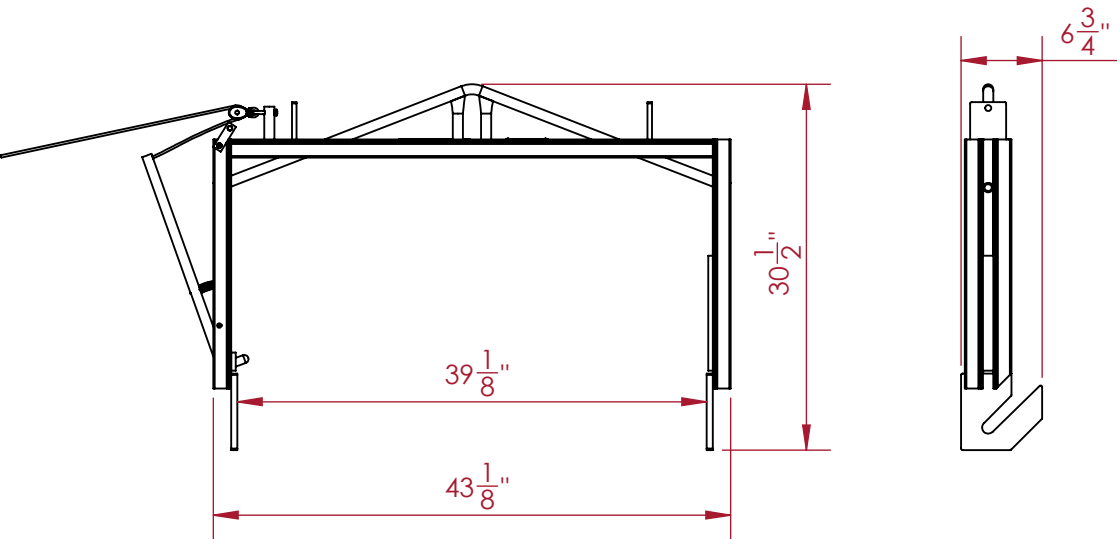
B

B



A

A



CUSTOMER SIGN OFF: _____ DATE: _____

PROPRIETARY AND CONFIDENTIAL:
 THE INFORMATION CONTAINED IN THIS DRAWING IS THE SOLE PROPERTY OF CECOR. ANY REPRODUCTION IN PART OR AS A WHOLE WITHOUT THE WRITTEN PERMISSION OF CECOR IS PROHIBITED.

UNITS: INCHES
 TOLERANCES:
 FRAC: ± 1/4"

CECOR[®] 1000 Jamse Ave.
 Belleville, WI 53508
 Phone: (608) 845-6771
 Email: cecor@cecor.net

TITLE:
DF-1043

| | | |
|---|------------------------------|-----------------|
| DRAWN: BY BPU DATE 01/14/22 | DWG. NO. ACT0.0077 | REV 0 |
|---|------------------------------|-----------------|

2

1