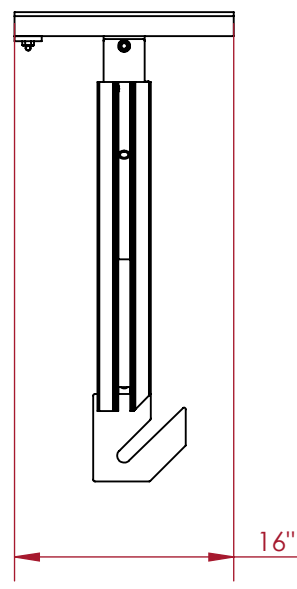
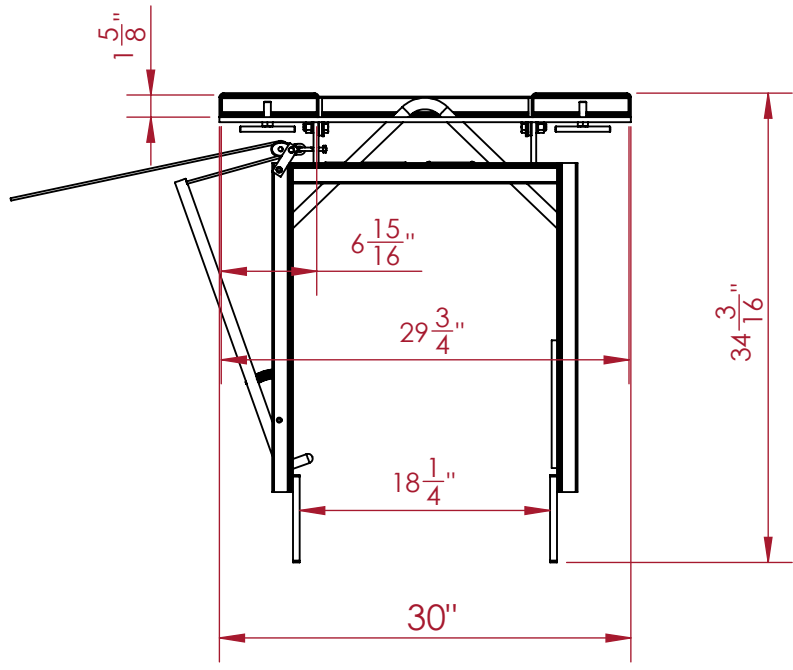


2

1

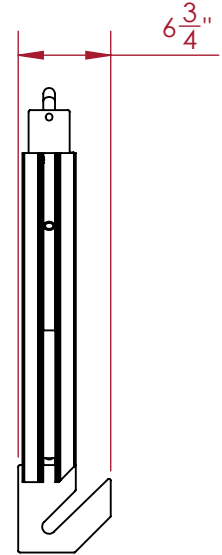
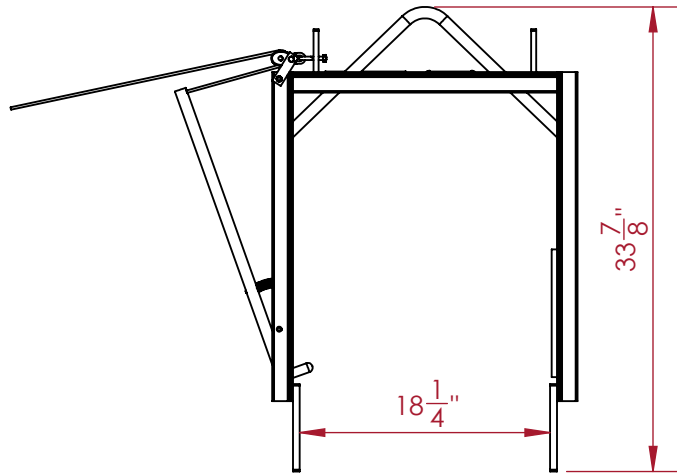
B

B



A

A



**CECOR**\* 1000 Jamse Ave.  
 Belleville, WI 53508  
 Phone: (608) 845-6771  
 Email: cecor@cecor.net

TITLE: DF-1042

PROPRIETARY AND CONFIDENTIAL:  
 THE INFORMATION CONTAINED IN THIS DRAWING IS THE SOLE PROPERTY OF CECOR. ANY REPRODUCTION IN PART OR AS A WHOLE WITHOUT THE WRITTEN PERMISSION OF CECOR IS PROHIBITED.

UNITS: INCHES  
 TOLERANCES:  
 FRAC: ± 1/4"

DRAWN: BY BPU DATE 01/04/22	DWG. NO. ACT0.0076	REV 0
---	-----------------------	----------

CUSTOMER SIGN OFF: \_\_\_\_\_ DATE: \_\_\_\_\_

2

1