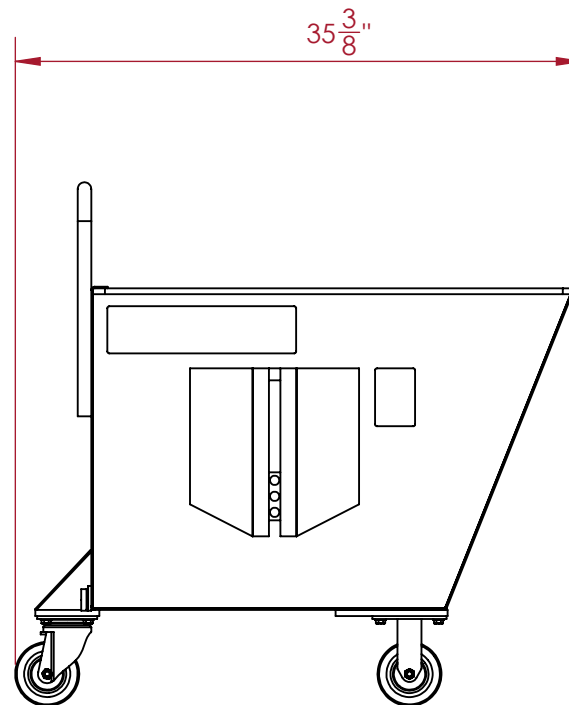
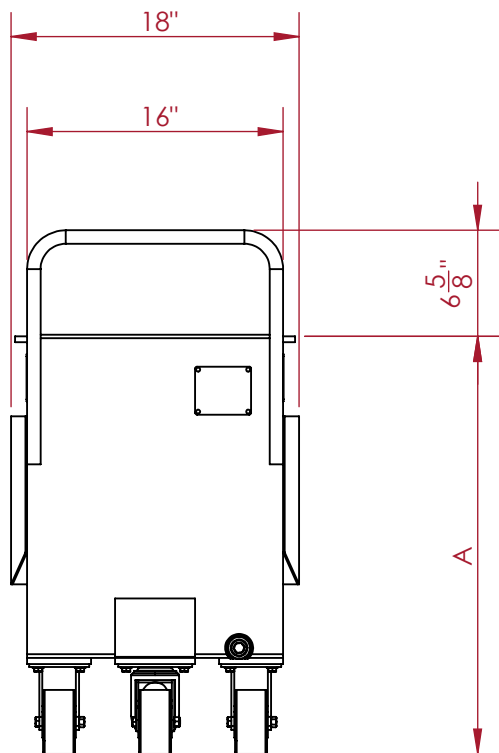


2

1

B

B



CASTER SIZE	CART HEIGHT "A"
3"	24 ³ / ₄ "
4"	26 ¹ / ₈ "
5"	27"
6"	28"
8"	30"

A

A

CECOR* 1000 Jamse Ave.
 Belleville, WI 53508
 Phone: (608) 845-6771
 Email: cecor@cecor.net

TITLE: 342 SALES DWG

PROPRIETARY AND CONFIDENTIAL:
 THE INFORMATION CONTAINED IN THIS DRAWING IS THE SOLE PROPERTY OF CECOR. ANY REPRODUCTION IN PART OR AS A WHOLE WITHOUT THE WRITTEN PERMISSION OF CECOR IS PROHIBITED.

UNITS: INCHES
 TOLERANCES:
 FRAC: ± 1/32"
 DEC: ±0.03

DRAWN:
 BY BPU
 DATE 01/25/24

DWG. NO. ACT0.0073

REV 7

CUSTOMER SIGN OFF: _____ DATE: _____

2

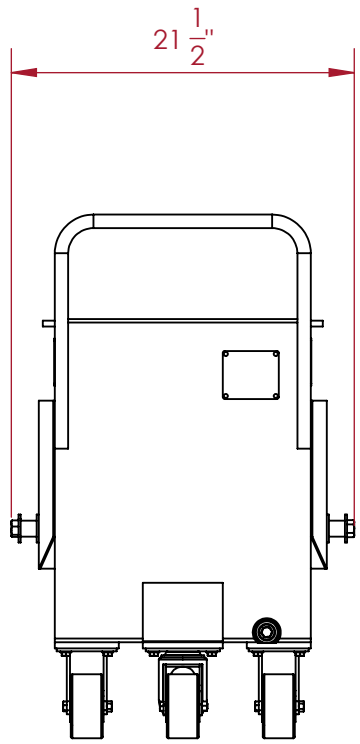
1

2

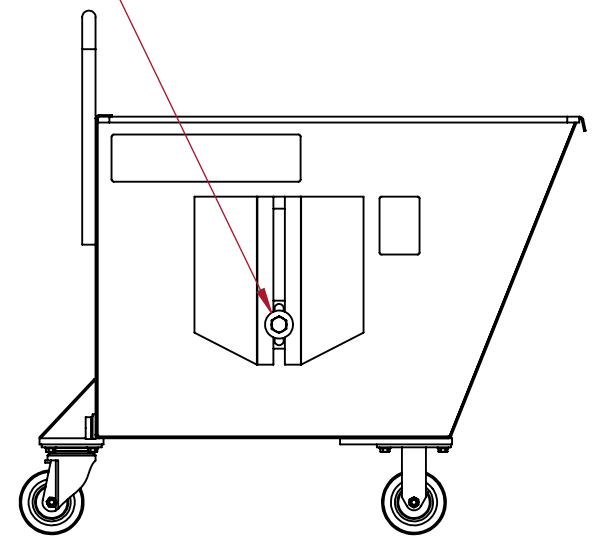
1

B

B



TRUNNION HARDWARE



A

A

WORKS WITH DF-1042 DUMPING FRAME

CECOR* 1000 Jamse Ave.
 Belleville, WI 53508
 Phone: (608) 845-6771
 Email: cecor@cecor.net

PROPRIETARY AND CONFIDENTIAL:
 THE INFORMATION CONTAINED IN THIS DRAWING IS THE SOLE PROPERTY OF CECOR. ANY REPRODUCTION IN PART OR AS A WHOLE WITHOUT THE WRITTEN PERMISSION OF CECOR IS PROHIBITED.

TITLE:
**342 SALES DWG
 OPTIONAL TRUNNION
 HARDWARE**

CUSTOMER SIGN OFF: _____ DATE: _____

UNITS: INCHES
 TOLERANCES:
 FRAC: ± 1/32"
 DEC: ±0.03

DRAWN: BY BPU DATE 01/25/24	DWG. NO. ACT0.0073	REV 3
---	------------------------------	-----------------

2

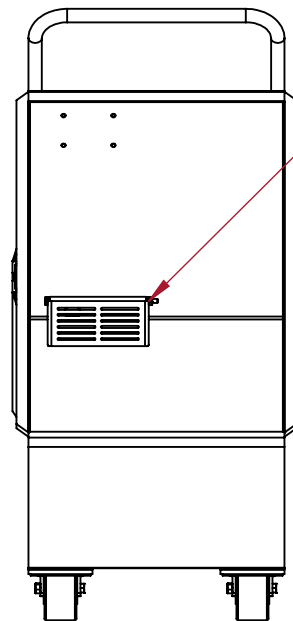
1

2

1

B

B



DRAIN FLAPPER

A

A

CECOR* 1000 Jamse Ave.
 Belleville, WI 53508
 Phone: (608) 845-6771
 Email: cecor@cecor.net

PROPRIETARY AND CONFIDENTIAL:
 THE INFORMATION CONTAINED IN THIS DRAWING IS THE SOLE PROPERTY OF CECOR. ANY REPRODUCTION IN PART OR AS A WHOLE WITHOUT THE WRITTEN PERMISSION OF CECOR IS PROHIBITED.

TITLE:
 342 SALES DWG
 OPTIONAL DRAIN
 FLAPPER

UNITS: INCHES
 TOLERANCES:
 FRAC: ± 1/32"
 DEC: ±0.03

DRAWN: BY BPU DATE 01/25/24	DWG. NO. ACT0.0073	REV 7
---	-----------------------	----------

CUSTOMER SIGN OFF: _____ DATE: _____

2

1