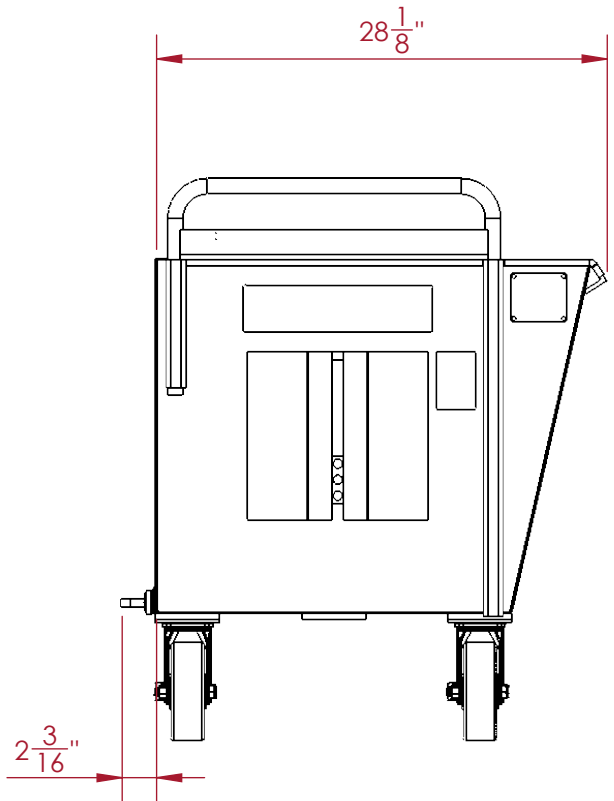
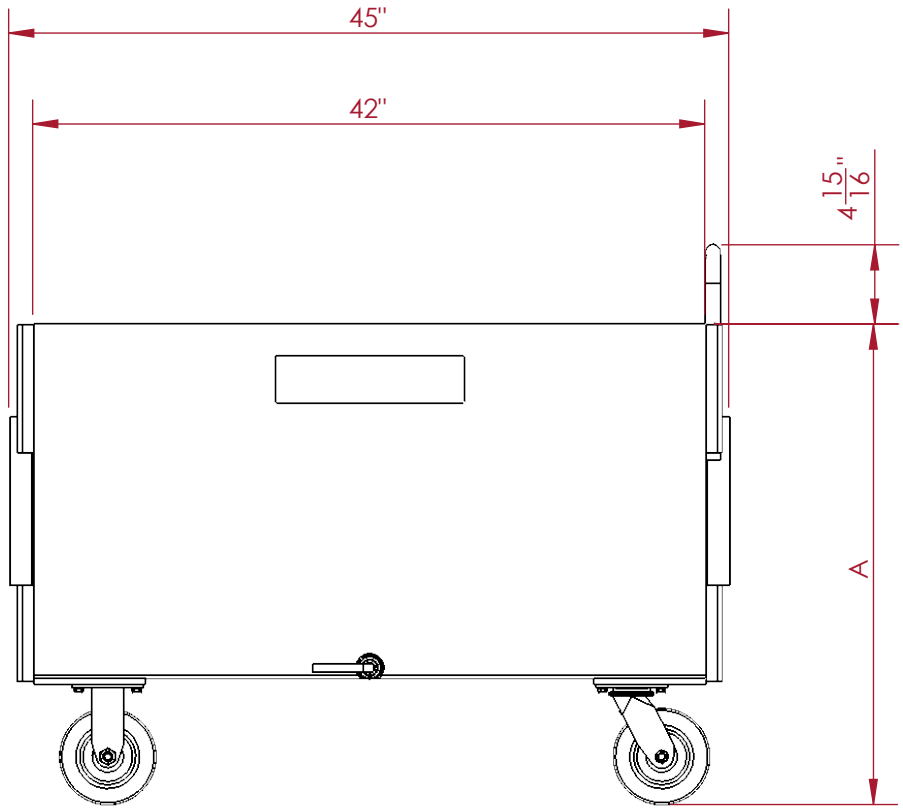


2

1

B

B



A

A

CASTER SIZE	CART HEIGHT "A"
3"	$26\frac{3}{4}$ "
4"	$28\frac{1}{8}$ "
5"	29"
6"	30"
8"	32"

CECOR* 1000 Jamse Ave.
 Belleville, WI 53508
 Phone: (608) 845-6771
 Email: cecor@cecor.net

TITLE: **244 SALES DWG**

PROPRIETARY AND CONFIDENTIAL:
 THE INFORMATION CONTAINED IN THIS DRAWING IS THE SOLE PROPERTY OF CECOR. ANY REPRODUCTION IN PART OR AS A WHOLE WITHOUT THE WRITTEN PERMISSION OF CECOR IS PROHIBITED.

UNITS: INCHES
 TOLERANCES:
 FRAC: $\pm 1/32$ "
 DEC: ± 0.03

DRAWN: BY BPU DATE 01/25/24	DWG. NO. ACT0.0072	REV 8
---	------------------------------	-----------------

CUSTOMER SIGN OFF: _____ DATE: _____

2

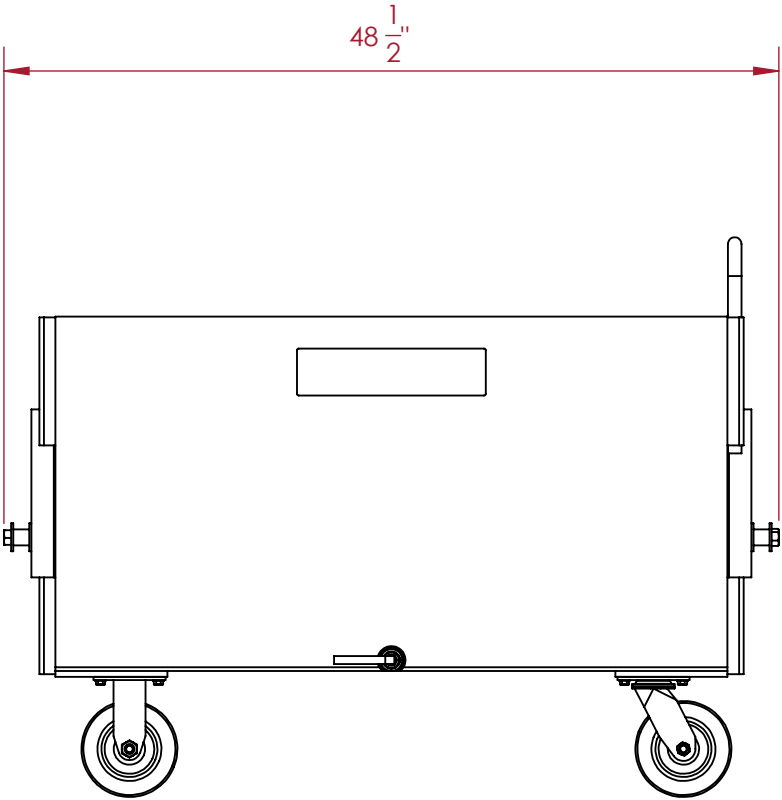
1

2

1

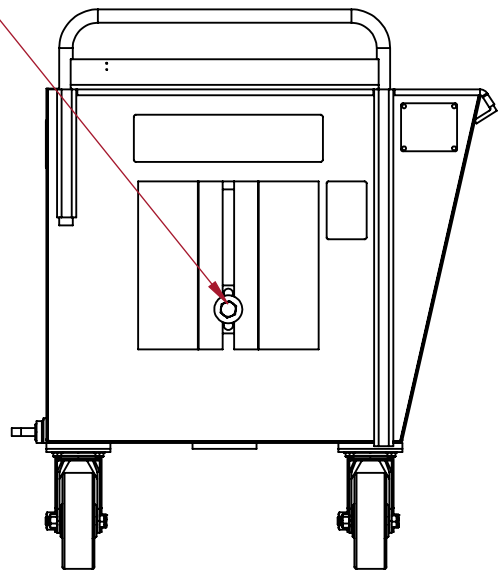
B

B



WORKS WITH DF-1044 DUMPING FRAME

TRUNNION HARDWARE



A

A

CECOR* 1000 Jamse Ave.
 Belleville, WI 53508
 Phone: (608) 845-6771
 Email: cecor@cecor.net

PROPRIETARY AND CONFIDENTIAL:
 THE INFORMATION CONTAINED IN THIS DRAWING IS THE SOLE PROPERTY OF CECOR. ANY REPRODUCTION IN PART OR AS A WHOLE WITHOUT THE WRITTEN PERMISSION OF CECOR IS PROHIBITED.

TITLE:
**244 SALES DWG
 OPTIONAL TRUNNION
 HARDWARE**

CUSTOMER SIGN OFF: _____ DATE: _____

UNITS: INCHES
 TOLERANCES:
 FRAC: ± 1/32"
 DEC: ±0.03

DRAWN: BY BPU DATE 01/25/24	DWG. NO. ACT0.0072	REV 8
---	------------------------------	-----------------

2

1

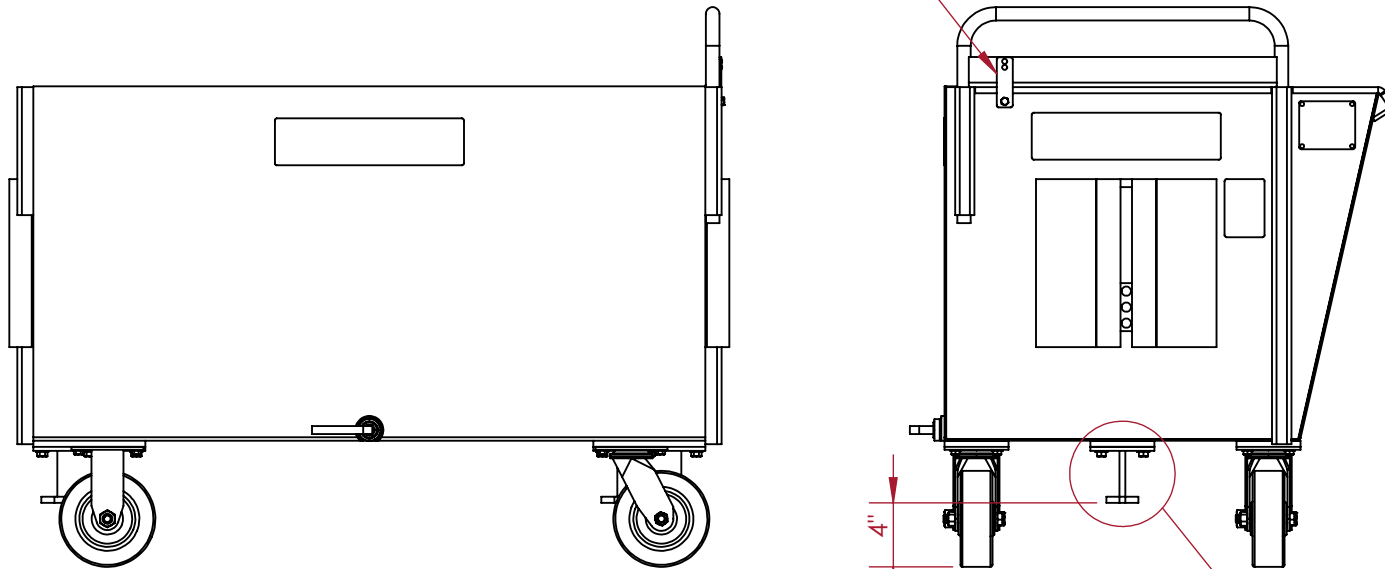
2

1

B

B

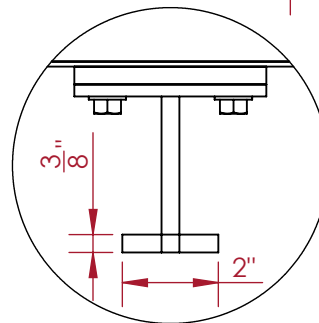
HANDLE RETAINER CAN BE ADDED TO LOCK IN HANDLE



4"

a

TEE-RAIL CLEAT PACKAGE IS DEPENDENT ON THE CASTER SIZE



DETAIL a SCALE 1 : 4

NOTE: TEE-RAIL CLEATS CAN NOT BE USED WITH STANDARD FORK POCKETS.

CECOR*

1000 Jamse Ave.
Belleville, WI 53508
Phone: (608) 845-6771
Email: cecor@cecor.net

PROPRIETARY AND CONFIDENTIAL:
THE INFORMATION CONTAINED IN THIS DRAWING IS THE SOLE PROPERTY OF CECOR. ANY REPRODUCTION IN PART OR AS A WHOLE WITHOUT THE WRITTEN PERMISSION OF CECOR IS PROHIBITED.

UNITS: INCHES
TOLERANCES:
FRAC: ± 1/32"
DEC: ±0.03

TITLE:
**244 SALES DWG
OPTIONAL TEE-RAIL
CLEATS**

DRAWN:
BY
BPU
DATE
01/25/24

DWG. NO.
ACT0.0072

REV
8

CUSTOMER SIGN OFF: _____ DATE: _____

2

1

A

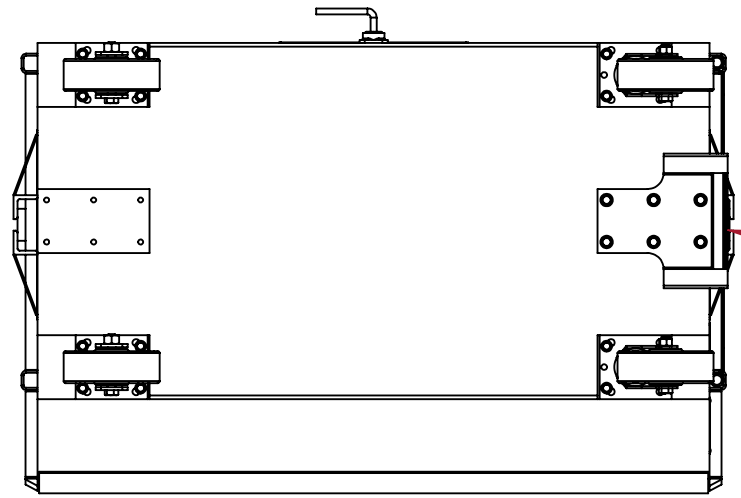
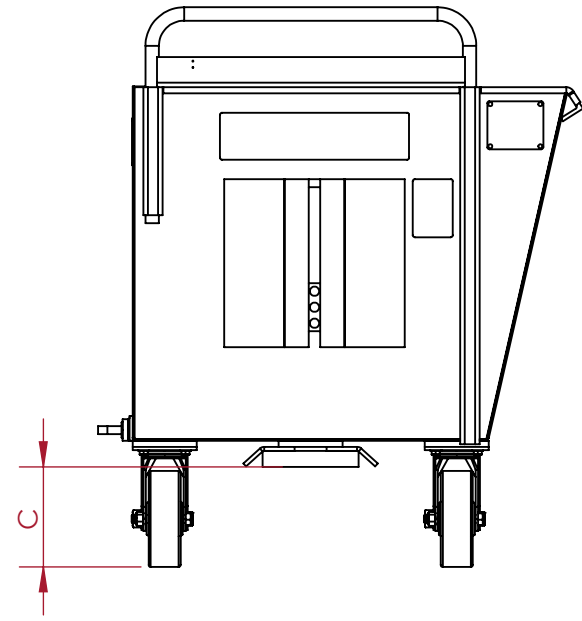
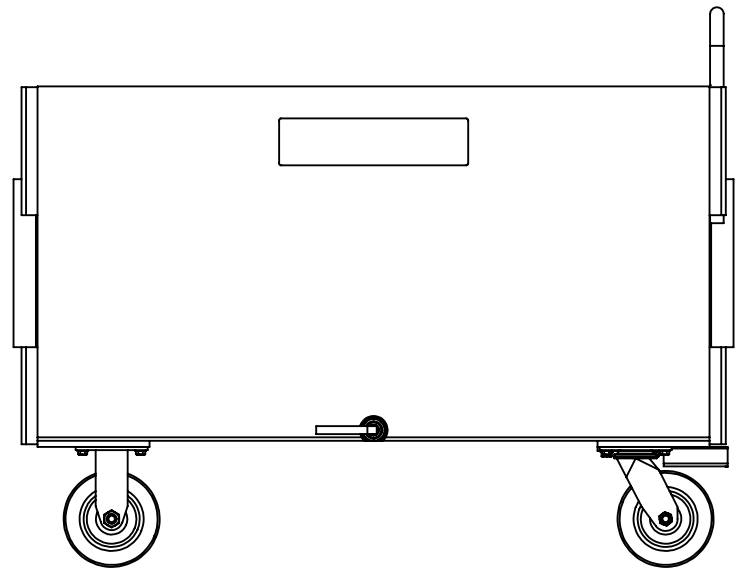
A

2

1

B

B



CASTER SIZE	HITCH HEIGHT "C"
3"	3"
4"	4 ³ / ₈ "
5"	5 ¹ / ₄ "
6"	6 ¹ / ₄ "
8"	8 ¹ / ₄ "

ROBOTIC TOWING HITCH

A

A

CECOR* 1000 Jamse Ave.
 Belleville, WI 53508
 Phone: (608) 845-6771
 Email: cecor@cecor.net

TITLE:
**244 SALES DWG
 OPTIONAL
 ROBOTIC TOWING**

PROPRIETARY AND
 CONFIDENTIAL:
 THE INFORMATION
 CONTAINED IN THIS
 DRAWING IS THE SOLE
 PROPERTY OF CECOR.
 ANY REPRODUCTION IN
 PART OR AS A WHOLE
 WITHOUT THE WRITTEN
 PERMISSION OF CECOR
 IS PROHIBITED.

UNITS: INCHES
 TOLERANCES:
 FRAC: ± 1/32"
 DEC: ±0.03

DRAWN:
 BY
 BPU
 DATE
 01/25/24

DWG. NO.
ACT0.0072

REV
8

CUSTOMER SIGN OFF: _____ DATE: _____

2

1

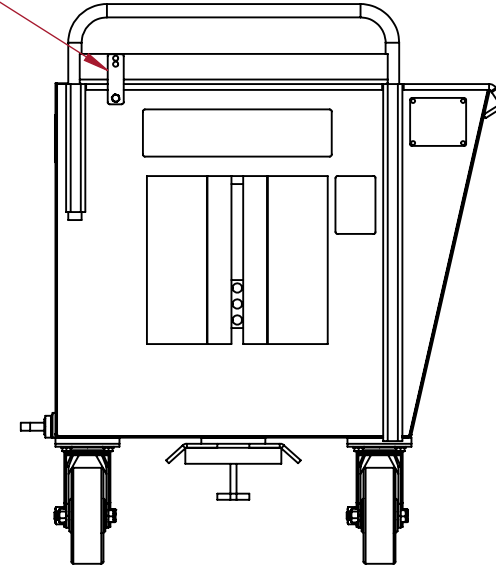
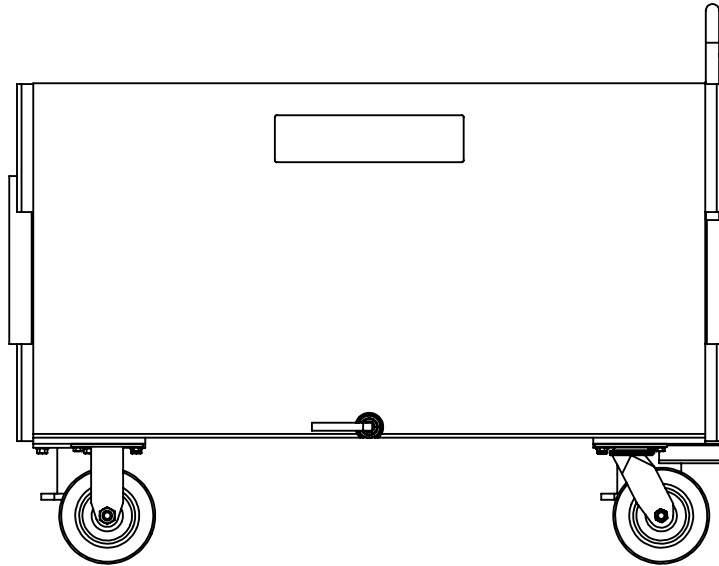
2

1

B

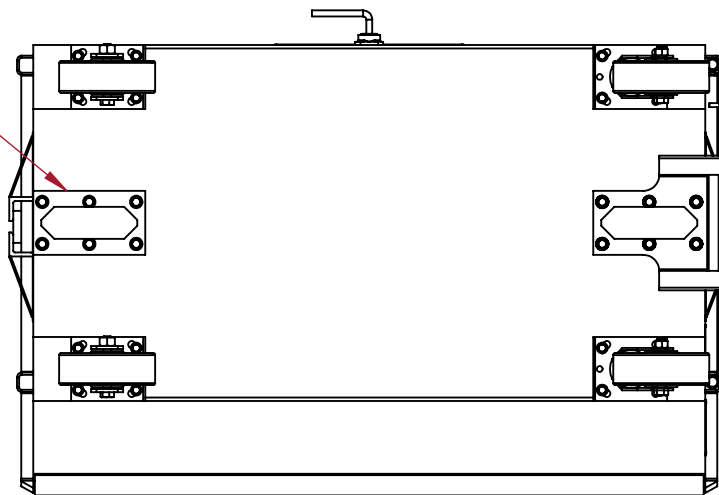
B

HANDLE RETAINER CAN BE
ADDED TO LOCK IN HANDLE



TEE-RAIL CLEAT

ROBOTIC TOWING HITCH



NOTE: TEE-RAIL CLEATS CAN NOT BE
USED WITH STANDARD FORK POCKETS.

CECOR*

1000 Jamse Ave.
Belleville, WI 53508
Phone: (608) 845-6771
Email: cecor@cecor.net

TITLE:
244 SALES DWG OPTIONAL
ROBOTIC TOWING & TEE-
RAIL CLEAT

PROPRIETARY AND
CONFIDENTIAL:
THE INFORMATION
CONTAINED IN THIS
DRAWING IS THE SOLE
PROPERTY OF CECOR.
ANY REPRODUCTION IN
PART OR AS A WHOLE
WITHOUT THE WRITTEN
PERMISSION OF CECOR
IS PROHIBITED.

UNITS: INCHES
TOLERANCES:
FRAC: ± 1/32"
DEC: ±0.03

DRAWN:
BY
BPU
DATE
01/25/24

DWG. NO.
ACT0.0072

REV
8

CUSTOMER SIGN OFF: _____ DATE: _____

2

1

A

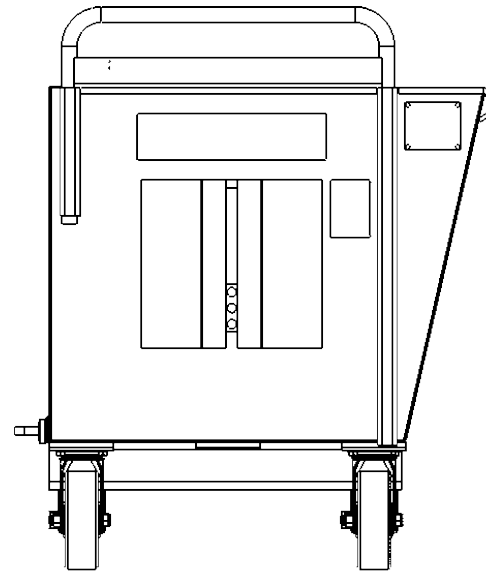
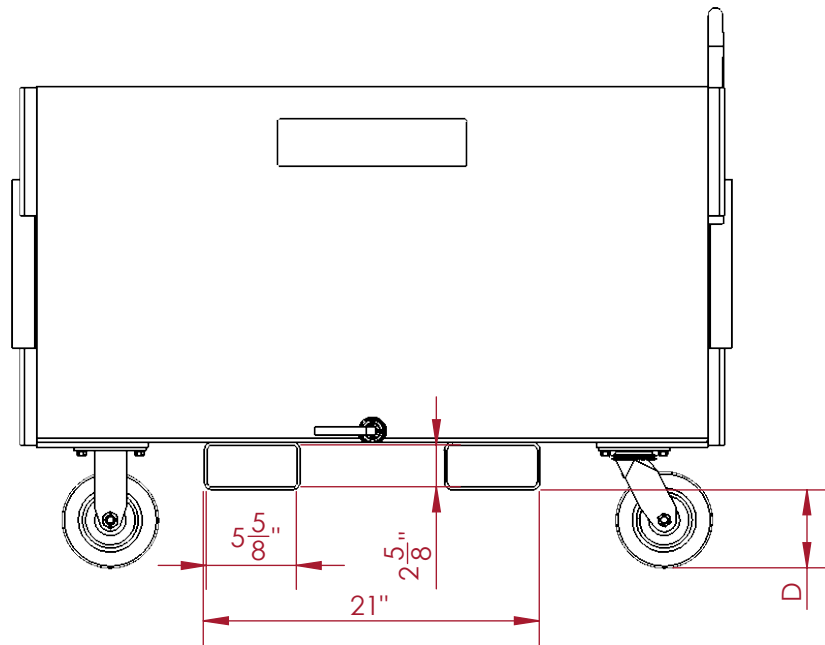
A

2

1

B

B



CASTER SIZE	CART HEIGHT "D"
3"	1 5/8"
4"	3"
5"	3 7/8"
6"	4 7/8"
8"	6 7/8"

NOTE: FORK POCKETS ARE WELDED ON AND CART MUST BE MADE TO ORDER. TEE-RAIL CLEATS CAN NOT BE USED WITH STANDARD FORK POCKETS.

NOTE: CUSTOM FORK DIMENSIONS ARE AVAILABLE. REQUIRES SPECIAL BUILD.

PROPRIETARY AND CONFIDENTIAL:
 THE INFORMATION CONTAINED IN THIS DRAWING IS THE SOLE PROPERTY OF CECOR. ANY REPRODUCTION IN PART OR AS A WHOLE WITHOUT THE WRITTEN PERMISSION OF CECOR IS PROHIBITED.

UNITS: INCHES
 TOLERANCES:
 FRAC: ± 1/32"
 DEC: ±0.03

CECOR* 1000 Jamse Ave.
 Belleville, WI 53508
 Phone: (608) 845-6771
 Email: cecor@cecor.net

TITLE:
**244 SALES DWG
 OPTIONAL FORK
 POCKETS**

DRAWN: BY BPU DATE 01/25/24	DWG. NO. ACT0.0072	REV 8
---	------------------------------	-----------------

CUSTOMER SIGN OFF: _____ DATE: _____

2

1

A

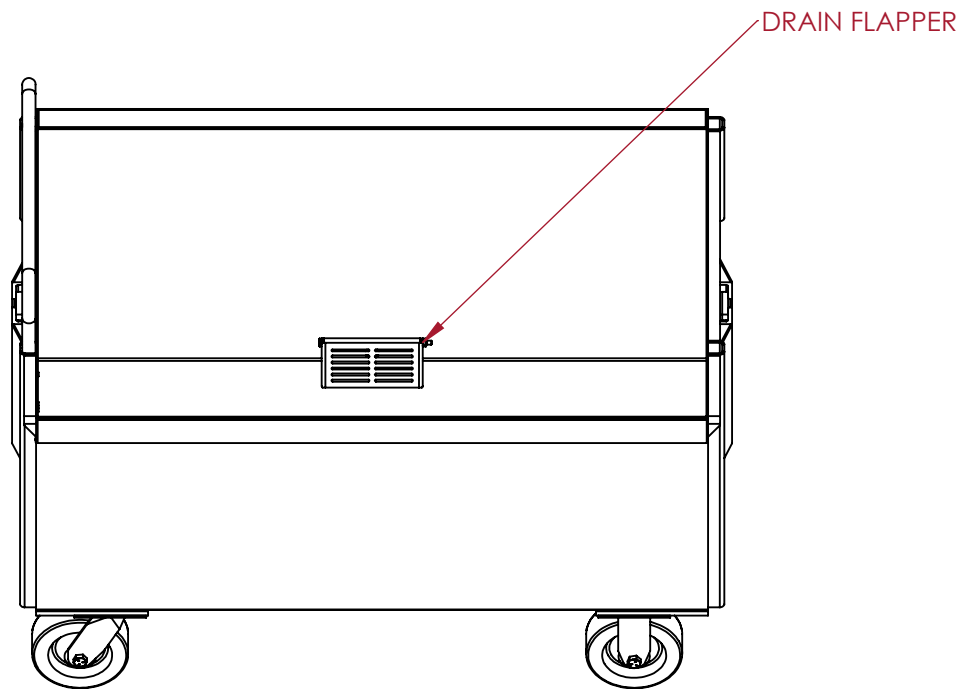
A

2

1

B

B



A

A

CECOR* 1000 Jamse Ave.
 Belleville, WI 53508
 Phone: (608) 845-6771
 Email: cecor@cecor.net

PROPRIETARY AND CONFIDENTIAL:
 THE INFORMATION CONTAINED IN THIS DRAWING IS THE SOLE PROPERTY OF CECOR. ANY REPRODUCTION IN PART OR AS A WHOLE WITHOUT THE WRITTEN PERMISSION OF CECOR IS PROHIBITED.

UNITS: INCHES
 TOLERANCES:
 FRAC: ± 1/32"
 DEC: ±0.03

TITLE:
**244 SALES DWG
 OPTIONAL DRAIN
 FLAPPER**

CUSTOMER SIGN OFF: _____ DATE: _____

DRAWN:
 BY
 BPU
 DATE
 01/25/24

DWG. NO.
ACT0.0072

REV
8

2

1