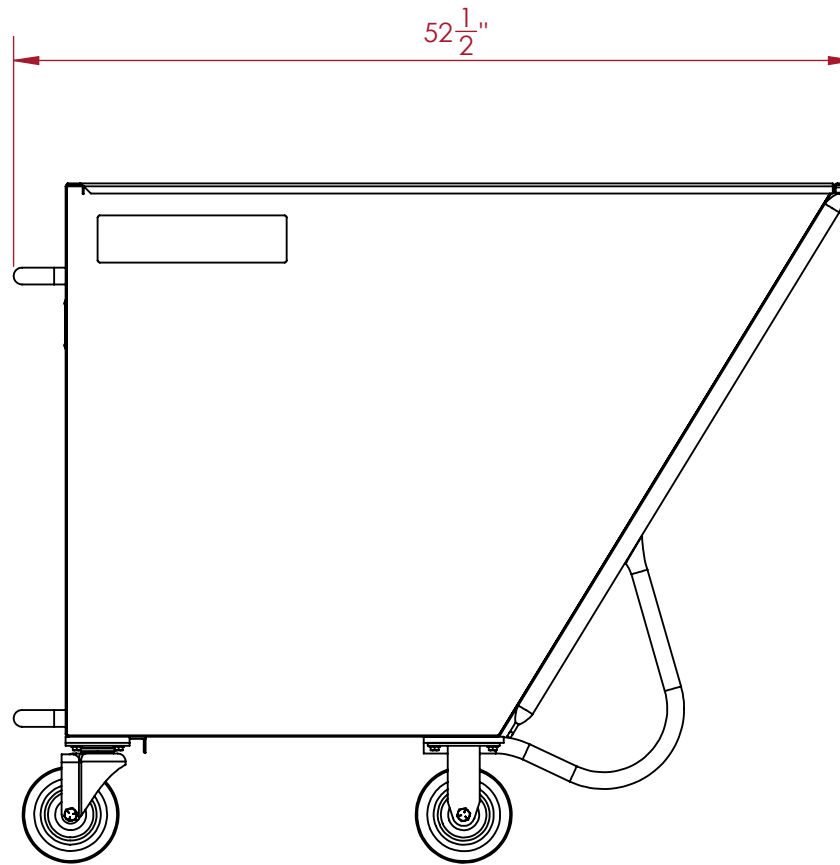
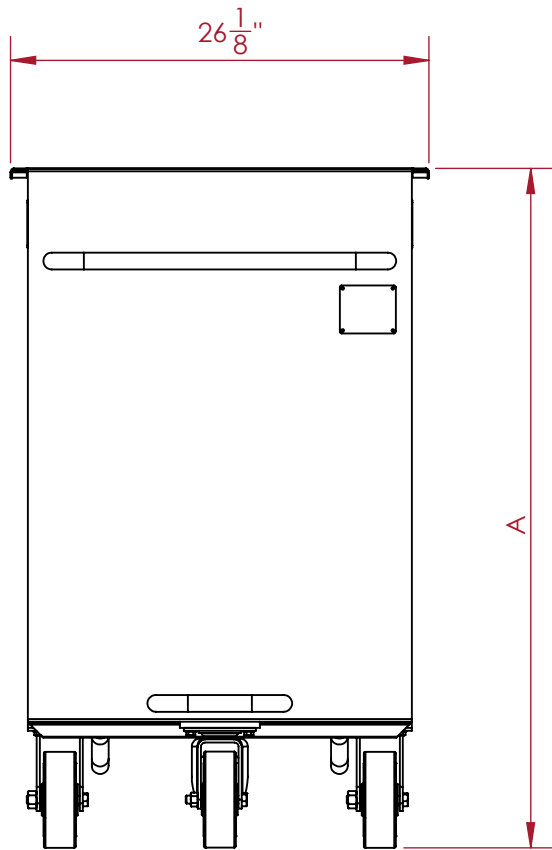


2

1

B

B



CASTER SIZE	CART HEIGHT "A"
5"	41 ¹ / ₂ "
6"	42 ¹ / ₂ "

CALL FOR OTHER CASTER SIZES.

A

A

CECOR* 1000 Jamse Ave.
 Belleville, WI 53508
 Phone: (608) 845-6771
 Email: cecor@cecor.net

PROPRIETARY AND CONFIDENTIAL:
 THE INFORMATION CONTAINED IN THIS DRAWING IS THE SOLE PROPERTY OF CECOR. ANY REPRODUCTION IN PART OR AS A WHOLE WITHOUT THE WRITTEN PERMISSION OF CECOR IS PROHIBITED.

UNITS: INCHES
 TOLERANCES:
 FRAC: ± 1/32"
 DEC: ±0.03

TITLE: 318 SALES DWG

DRAWN: BY BPU
 DATE 11-09-23

DWG. NO. ACT0.0062

REV 5

CUSTOMER SIGN OFF: _____ DATE: _____

2

1